

PART 16 PARA-CYCLING

Version on 01.02.18

TABLE OF CONTENTS	Page
Chapter I GOVERNANCE	3
Chapter II CATEGORIES	6
Chapter III ELIGIBILITY FOR PARA-CYCLING COMPETITIONS	7
Chapter IV UCI CLASSIFICATION RULES AND REGULATIONS	9
Chapter V PARA-CYCLING DIVISION & SPORT CLASS PROFILES	32
Chapter VI PARA-CYCLING WORLD CHAMPIONSHIPS	46
Chapter VII ROAD RACES	47
§ 1 Road Races	47
§ 2 Individual Time Trials	49
§ 3 Team Relay (TR)	51
Chapter VIII TRACK RACES	54
§2 Individual Pursuit	54
§3 Tandem Sprint	55
§4 Team Sprint (TS)	55
§5 Scratch Race	56
Chapter IX WORLD RECORDS	58
Chapter X RACE CLOTHING	61
Chapter XI MEDALS AND JERSEYS FOR UCI PARA-CYCLING WORLD CHAMPIONSHIPS	62
Chapter XII PENALTIES	63
Chapter XIII ANTIDOPING	64

Chapter XIV EQUIPMENT REGULATIONS	65
Chapter XV TANDEM BICYCLE	67
Chapter XVI TRICYCLE	68
Chapter XVII HANDCYCLE	70
Chapter XVIII PARA-CYCLING INDIVIDUAL RANKING	73
Chapter XIX PARA-CYCLING NATIONS' RANKING	76
Chapter XX PARA-CYCLING WORLD CUP	78
Chapter XXI WORLD CHAMPIONSHIPS QUALIFICATION SYSTEM	84
Chapter XXII PARALYMPIC GAMES	85
Chapter XXIII PARA-CYCLING TECHNICAL NOTES	86
Appendix 1	87
Appendix 2	88

PART 16 PARA-CYCLING

Chapter I GOVERNANCE

16.1.001 The International Paralympic Committee (IPC) is the supreme authority governing para-cycling at Paralympic standard where it relates to Paralympic summer Games.

(text modified on 26.06.07)

16.1.002 [article abrogated on 26.06.07]

16.1.003 [article abrogated on 26.06.07]

Viability of events

16.1.004 In para-cycling competitions, except the Paralympic Games and the *World Championships*, an organizer in consultation with the UCI, may mix divisions, sport classes, age groups and gender, as necessary to produce a viable event.

(text modified on 26.06.07; 01.01.09; 01.10.12)

Factored events

16.1.005 In case of factored event (gender and/or sport class), standard performance factors in the table below must be applied to ensure equity between the combined sport classes.

Table of standard performance factors

Division C

C5	Men	100.00 %									
C4	Men	98.12 %	100.00 %								
C3	Men	92.77 %	94.55 %	100.00 %							
C2	Men	89.56 %	91.28 %	96.54 %	100.00 %						
C5	Women	88.06 %	89.75 %	94.92 %	98.33 %	100.00 %					
C4	Women	86.40 %	88.06 %	93.14 %	96.48 %	98.12 %	100.00 %				
C1	Men	85.12 %	86.75 %	91.75 %	95.04 %	96.66 %	98.51 %	100.00 %			
C3	Women	81.69 %	83.26 %	88.06 %	91.22 %	92.77 %	94.55 %	95.97 %	100.00 %		
C2	Women	78.87 %	80.38 %	85.01 %	88.06 %	89.56 %	91.28 %	92.65 %	96.54 %	100.00 %	
C1	Women	74.96 %	76.39 %	80.80 %	83.69 %	85.12 %	86.75 %	88.06 %	91.75 %	95.04 %	100.00 %

UCI CYCLING REGULATIONS

Division H

H5	Men	100.00 %										
H4	Men	100.00 %	100.00 %									
H3	Men	97.69 %	97.69 %	100.00 %								
H5	Women	88.06 %	88.06 %	90.14 %	100.00 %							
H4	Women	88.06 %	88.06 %	90.14 %	100.00 %	100.00 %						
H3	Women	86.03 %	86.03 %	88.06 %	97.69 %	97.69 %	100.00 %					
H2	Men	82.83 %	82.83 %	84.79 %	94.06 %	94.06 %	96.29 %	100.00 %				
H2	Women	72.94 %	72.94 %	74.66 %	82.83 %	82.83 %	84.79 %	88.06 %	100.00 %			
H1	Men	57.43 %	57.43 %	58.79 %	65.22 %	65.22 %	66.76 %	69.33 %	78.74 %	100.00 %		
H1	Women	50.57 %	50.57 %	51.77 %	57.43 %	57.43 %	58.79 %	61.06 %	69.33 %	88.06 %	100.00 %	

Division T

T2	Men	100.00 %										
T2	Women	88.06 %	100.00 %									
T1	Men	82.35 %	93.52 %	100.00 %								
T1	Women	72.52 %	82.35 %	88.06 %	100.00 %							

Division B

B	Men	100.00 %										
B	Women	88.06 %	100.00 %									

(text modified on 01.02.11; 01.10.12; 01.02.14; 01.01.16)

Medals

16.1.006 For races with fewer than four competitors the «minus one» rule will apply where medals are to be awarded: no medal for one competitor, one medal for two competitors, two medals for three competitors, and three medals for four or more competitors.

However, the abovementioned rule does not apply if the following conditions are fulfilled:

Road Races:

The last athlete meets the minimum performance standard (see tables in art. 16.1.005) corresponding to the third place finisher in the next highest sport class present in the race.

*Comment: A C2 athlete must finish within 96.54 % of the time of the third-place finisher in the next highest sport class (that is, C3) to be awarded a gold, silver or bronze medal, depending on the number of starters.
If there are no competitors in the C3 class, C4 will be considered the next highest sport class. This means the competitor must finish within 91.28 % of the third-place finisher in the C4 sport class to be awarded a medal.*

Division C

C5	Men	100.00 %			
C4	Men	94.55%	100.00 %		
C3	Men	91.28%	94.55 %	100.00 %	
C2	Men	94.55%	91.28 %	96.54 %	100.00 %

Track Races:

The last athlete meets the minimum performance standard according to the percentages below. The minimum performance standard will be calculated based on world records in the sport class concerned.

Individual pursuit	96 % of the world record
Kilo and 500m	97 % of the world record

(article introduced on 01.10.12)

Chapter II CATEGORIES

16.2.001 In para-cycling competitions, except the Paralympic Games, UCI age categories described at article 1.1.034 and the following of the UCI regulations rules shall apply for both men and women. Different age categories may compete together, with the exception of the 'youth' category. In para-cycling combined age competitions, age category awards are not mandatory:

- In para-cycling track and road competitions, the minimum age for the youth category shall be the year of the rider's 14th birthday up to 16th included.
- All road circuits for youth category racing must be completely closed to other traffic.
- Youth category riders shall only compete amongst themselves.
- The completed final entry form for para-cycling competitions for youth category riders shall include a signature of parental (legal guardian) consent for the rider to compete.
- International competitions, except Paralympic Games, are opened to junior and elite UCI age categories.

(text modified on 26.06.07; 01.02.08; 01.02.11)

Open Categories

16.2.002 Able-bodied and non-classified athletes can participate in UCI para-cycling C1 and C2 events in the following Open Categories:

- H-Open 1: able-bodied athletes competing on a recumbent handcycle
- H-Open 2: able-bodied athletes competing on a kneeling handcycle
- T-Open: able-bodied athletes competing on a tricycle

Only able-bodied athletes who hold a valid international cycling license as described at article 16.3.002 are allowed to participate.

Open Categories do not provide any UCI points and there are no rankings. Open Categories' races shall be held in separate starts and riders may not be mixed with classified para-cyclists. The UCI equipment regulations applies to the Open Categories.

(article introduced on 01.02.17)

Chapter III ELIGIBILITY FOR PARA-CYCLING COMPETITIONS

Athletes

- 16.3.001** Only athletes **who have an Eligible Impairment that is permanent, and** who meet the Minimum Impairment Criteria under these rules are eligible for para-cycling competitions.

Tandem pilots who are eligible under articles 16.3.003ss are considered athletes and must obey these regulations except when it concerns classification.

(text modified on 26.06.07; 01.01.09; 01.10.12; 01.07.13; 01.02.17; 01.02.18)

- 16.3.002** All athletes, including tandem pilots, must hold a valid international racing license from their UCI recognised national cycling federation. This license must be presented at all para-cycling competitions.

(text modified on 26.06.07)

Tandem Pilots

- 16.3.003** Professional cyclists being members of a UCI registered team may not take part as a tandem pilot.

(text modified on 26.06.07)

- 16.3.004** Cyclists who were members of a UCI World Team or UCI Professional Continental Team must respect a waiting period of 12 months after their contract expires before taking part as a tandem pilot.

This waiting period comes on 1st January the next year after the end of the contract for cyclists who were members of one of the other UCI teams described at article 1.1.041 of the UCI rules.

(text modified on 01.01.09; 01.10.13; 01.01.16)

- 16.3.005** Men and women cyclists over 18 years of age, may race as tandem pilots, provided they have not been selected by their national federation in one of the following events (all disciplines):

- *UCI World Championships* (except Masters, Para-cycling and Junior) and Olympic Games – at least 12 months preceding the para-cycling event;
- UCI World Cup, regional games and continental championships (i.e. Commonwealth Games, Pan-American Games, Asian Games, Mediterranean Games, European Championships, ...) – the same year of the para-cycling event (except Junior).

(text modified on 26.06.07; 01.01.09; 01.10.11; 01.10.13; 01.01.16)

16.3.006 Each visually impaired athlete is allowed a maximum of one pilot for any para-cycling competition. The athlete and his pilot shall have the same sporting nationality.

(text modified on 26.06.07; 01.01.09; 01.02.11; 01.01.16; 01.02.17)

16.3.007 In the event of an injury or illness and upon presentation of a medical certificate, the pilot may be replaced by another pre-registered pilot up to 24 hours before the official start of the competition in which the tandem is taking part. After this deadline, no change will be allowed.

(article introduced on 01.02.08; text modified on 01.10.12).

Chapter IV UCI CLASSIFICATION RULES AND REGULATIONS

(chapter changed on 01.10.10; 01.02.17; 01.01.18)

Part One: General Provisions

16.4.001 **Scope and Application**

These UCI Classification Rules and Regulations are referred to throughout this document as the 'Classification Rules'.

They implement the requirements of the 2015 IPC Athlete Classification Code and International Standards.

The Classification Rules are supplemented by a number of Classification forms which assist Athlete Evaluation.

Classification

Classification is undertaken to:

- a) Define who is eligible to compete in Para cycling and consequently who has the opportunity to reach the goal of becoming a Paralympic Athlete; and
- b) Group Athletes into Sport Classes which aim to ensure that the impact of Impairment is minimised, and sporting excellence determines which Athlete is ultimately victorious.

Application

These Classification Rules apply to all Athletes and Athlete Support Personnel who hold a valid racing license issued by their UCI recognised national federation as defined in the UCI Cycling Regulations, and/or who participate in any International Competitions and competitions sanctioned by the UCI.

International Classification

UCI will only permit an Athlete to compete in an International Competition if that Athlete has been allocated a Sport Class (other than Sport Class Not Eligible) and designated with a Sport Class Status in accordance with these Classification Rules.

UCI will provide opportunities for Athletes to be allocated a Sport Class and designated with a Sport Class Status in accordance with these Classification Rules at International Competitions. The UCI will advise Athletes, National Federations and National Paralympic Committees in advance as to such International Competitions.

An Athlete will only be permitted to undergo International Classification if he or she:

- Holds a valid UCI racing license pursuant to the relevant provisions in the UCI Para-cycling Regulations, and
- Has been entered into and competes in the UCI Para-cycling **International** Competition where International Classification is to take place.

Interpretation and Relationship to the Code

Capitalised terms used in these Classification Rules have the meaning given to them in the Glossary to these Classification Rules (Appendix 2).

These Classification Rules are to be applied and interpreted as an independent text in a manner that is consistent with the 2015 IPC Athlete Classification Code and International Standards.

(text modified on 01.02.18)

16.4.002 Roles and Responsibilities

It is the personal responsibility of Athletes, Athlete Support Personnel and Classification Personnel to acquaint themselves with all the requirements of these Classification Rules, the UCI Cycling Regulations, the IPC Athlete Classification Code (see IPC Handbook, Section 2, Chapter 1.3) and the other sections of the IPC Handbook that apply to Classification.

Athlete Responsibilities

The roles and responsibilities of Athletes include to:

- a) be knowledgeable of and comply with all applicable policies, rules and processes established by these Classification Rules;
- b) participate in Athlete Evaluation in good faith;
- c) ensure when appropriate that adequate information related to Health Conditions and Eligible Impairments is provided and/or made available to the UCI;
- d) cooperate with any investigations concerning violations of these Classification Rules; and
- e) actively participate in the process of education and awareness, and Classification research, through exchanging personal experiences and expertise.

Athlete Support Personnel Responsibilities

The roles and responsibilities of Athlete Support Personnel include to:

- a) be knowledgeable of and comply with all applicable policies, rules and processes established by these Classification Rules;
- b) use their influence on Athlete values and behaviour to foster a positive and collaborative Classification attitude and communication;
- c) assist in the development, management and implementation of Classification Systems; and
- d) cooperate with any investigations concerning violations of these Classification Rules.

Classification Personnel Responsibilities

The roles and responsibilities of Classification Personnel include to:

- a) have a complete working knowledge of all applicable policies, rules and processes established by these Classification Rules;
- b) use their influence to foster a positive and collaborative Classification attitude and communication;
- c) assist in the development, management and implementation of Classification Systems, including participation in education and research; and
- d) cooperate with any investigations concerning violations of these Classification Rules.

(text modified on 01.07.13; 01.02.17; 01.02.18)

16.4.003 Para-cycling Sport Classes

Handcycle	Tricycle	Cycle	Tandem
H1	T1	C1	B
H2	T2	C2	
H3		C3	
H4		C4	
H5		C5	

The UCI recommends **using** the codes below on UCI para-cyclists licenses:

Tandem	MB	WB
Handcycle H1	MH1	WH1
Handcycle H2	MH2	WH2
Handcycle H3	MH3	WH3
Handcycle H4	MH4	WH4
Handcycle H5	MH5	WH5
Tricycle T1	MT1	WT1
Tricycle T2	MT2	WT2
Cycle C1	MC1	WC1
Cycle C2	MC2	WC2
Cycle C3	MC3	WC3
Cycle C4	MC4	WC4
Cycle C5	MC5	WC5

The rider's code is read as follows:

- 1st letter: gender
- 2nd – 3rd letter and number: sport class

(text modified on 01.02.14; 01.02.18)

Part Two: Classification Personnel

16.4.004 Classification Personnel

Classification Personnel are fundamental to the effective implementation of these Classification Rules. The UCI will appoint a number of Classification Personnel, each of whom will have a key role in the organisation, implementation and administration of Classification for the UCI.

Head of Classification

The Head of Classification is a person appointed by the UCI to be responsible for the direction, administration, co-ordination and implementation of Classification matters for Para-cycling.

If a Head of Classification cannot be appointed, the UCI may appoint another person, or group of persons collectively (provided such person or group of persons agrees to comply with the Classifier Code of Conduct), to act as the Head of Classification.

The Head of Classification is not required to be a certified Classifier. If not a certified Classifier, the Head of Classification will work closely together with experienced Classifiers in Para-cycling.

The Head of Classification may delegate specific responsibilities and/or transfer specific tasks to designated Classifiers, or other persons authorised by the UCI.

Nothing in these Classification Rules prevents the Head of Classification (If certified as a Classifier) from also being appointed as a Classifier and/or Chief Classifier.

Classifier

A Classifier is a person authorised as an official by the UCI to conduct some or all components of Athlete Evaluation as a member of a Classification Panel.

Chief Classifier

A Chief Classifier is a Classifier appointed by the UCI to direct, administer, co-ordinate and implement Classification matters for a specific Competition. A Chief Classifier may be required by UCI to do the following:

- supervise Classifiers to ensure that these Classification Rules are properly applied during Classification;
- manage Protests in consultation with the UCI;
- liaise with the relevant Competition organisers to ensure that all logistics are arranged in order that classifiers may carry out their duties at the Competition.

Trainee Classifiers

A Trainee Classifier is a person who is in the process of formal training to become a Classifier for the UCI.

The UCI may appoint Trainee Classifiers to participate in some or all components of Athlete Evaluation under the supervision of a Classification Panel, to develop the necessary Classifier competencies in order to be certified by the UCI as a Classifier.

(text modified on 01.02.18)

16.4.005 Classifier Competencies, Training and Certification

A Classifier will be authorised to act as a Classifier if that Classifier has been certified by the UCI as having the relevant Classifier Competencies.

The UCI will provide training and education to Classifiers to ensure Classifiers obtain and/or maintain Classifier Competencies.

Classifier Competencies include that a Classifier must have:

- a thorough understanding of these Classification Rules;
- an understanding of Para-cycling, including an understanding of the technical rules of the sport;
- an understanding of the 2015 IPC Athlete Classification Code and the International Standards;
- a professional qualification(s), level of experience, skills and/or competencies to act as a Classifier for the UCI. These include that a Classifier must either:

- a) be a certified health professional in a field relevant to the Eligible Impairment category which the UCI at its sole discretion deems acceptable, such as a medical doctor or physiotherapist for Athletes with a Physical Impairment, who has knowledge and experience in dealing with people with physical impairments; and/or an ophthalmologist or optometrist for Athletes with a Vision Impairment; or
- b) have an extensive coaching or other relevant background in the sport of cycling; or a recognised and reputable academic background which encompasses a requisite level of anatomical, biomechanical and sport specific expertise, such as certified coaches, bike fit experts or experts in human movement science with the ability to analyse gait and assess the athlete on the bicycle/tricycle/handcycle, which the UCI at its sole discretion deems to be acceptable.

The UCI has established a process of Classifier Certification by which Classifier Competencies are assessed. The Classifier Education Pathway is available on the UCI website. This process is only applicable for Classifiers being certified to classify Athletes with a Physical Impairment.

Ophthalmologists and optometrists who classify athletes with a Vision Impairment are trained and certified by the International Blind Sports Association (IBSA) and the International Paralympic Committee (IPC). The certification awarded by IBSA and the IPC is recognised by the UCI.

(text modified on 01.05.16; 01.02.17; 01.02.18)

16.4.006 Classifier Code of Conduct

The integrity of Classification in Para-cycling depends on the conduct of Classification Personnel. The UCI has therefore adopted a set of professional conduct standards referred to as the 'Classifier Code of Conduct'.

All Classification Personnel must comply with the Classifier Code of Conduct.

Any person who believes that any Classification Personnel may have acted in a manner that contravenes the Classifier Code of Conduct must report this to the UCI.

The UCI has the discretion to determine whether or not a Classifier has an actual, perceived and/or potential conflict of interest.

(article introduced on 01.02.18)

Part Three: Athlete Evaluation

16.4.007 General Provisions

Athlete Evaluation is the process by which an Athlete is assessed in accordance with these Classification Rules in order to be allocated a Sport Class and designated a Sport Class Status.

Athlete Evaluation encompasses a number of steps and these Classification Rules therefore include provisions regarding:

- a) An assessment to determine whether the Athlete has an Eligible Impairment for para-cycling;

- b) An assessment to determine whether the Athlete complies with the Minimum Impairment Criteria (MIC) for para-cycling; and
- c) the allocation of a Sport Class (and designation of a Sport Class Status) depending on the extent to which the Athlete is able to execute the specific tasks and activities fundamental to para-cycling (with the exception for athletes with Vision Impairment where the current assessment criteria is not yet sport specific and does not include a requirement that the athletes are assessed in respect of the 'extent to which the Athlete is able to execute the specific tasks and activities fundamental to the sport').

(text modified on 01.02.18)

16.4.008 Eligible Impairment

Any Athlete wishing to compete in para-cycling must have an Eligible Impairment which must be Permanent.

Article 16.5.001 of the UCI Cycling Regulations specifies the Eligible Impairment(s) an Athlete must have in order to compete in para-cycling.

Any Impairment that is not listed as an Eligible Impairment in article 16.5.001, is referred to as a Non-Eligible Impairment. Article 16.5.009 includes examples of Non-Eligible Impairments.

Assessment of Eligible Impairment

The UCI must determine if an Athlete has an Eligible Impairment.

In order to be satisfied that an Athlete has an Eligible Impairment, the UCI may require any Athlete to demonstrate that he or she has an Underlying Health Condition. Article 16.5.010 lists examples of Health Conditions that are not Underlying Health Conditions.

The means by which the UCI determines whether an Athlete has an Eligible Impairment is at the sole discretion of the UCI. The UCI may consider that an Athlete's Eligible Impairment is sufficiently obvious and therefore not require evidence that demonstrates the Athlete's Eligible Impairment.

If in the course of determining whether an Athlete has an Eligible Impairment the UCI becomes aware that the Athlete has a Health Condition, and believes that the impact of that Health Condition may be that it is unsafe for that Athlete to compete or there is a risk to the health of the Athlete (or other Athletes) if that Athlete competes, it may designate the Athlete as Classification Not Completed (CNC) in accordance with article 16.4.011 of these Classification Rules. In such instances the UCI will explain the basis of its designation to the relevant NF and/or NPC.

An Athlete must (if requested to do so) supply the UCI with Diagnostic Information that must be provided as follows:

- a) The relevant NF/NPC must submit a Medical Diagnostics Form (MDF) to the UCI, at least four (4) weeks in advance of the competition in which the Athlete is to be classified;
- b) the Medical Diagnostic Form (MDF) must be completed in English and dated and signed by a certified health care professional;
- c) the Medical Diagnostic Form (MDF) must be submitted with supportive Diagnostic Information if required by the UCI.

The UCI may require an Athlete to re-submit the Medical Diagnostic Form (with necessary supportive Diagnostic Information) if the UCI at its sole discretion considers the Medical Diagnostic Form and/or the Diagnostic Information to be incomplete or inconsistent.

If the UCI requires an Athlete to provide Diagnostic Information it may consider the Diagnostic Information itself, and/or may appoint an Eligibility Assessment Committee to do so.

The process by which an Eligibility Assessment Committee is formed and considers Diagnostic Information is as follows:

- a) The Head of Classification will notify the relevant NF or NPC that Diagnostic Information must be provided on behalf of the Athlete. The Head of Classification will explain what Diagnostic Information is required, and the purposes for which it is required.
- b) The Head of Classification will set timelines to submit the requested Diagnostic Information.
- c) The Head of Classification will appoint an Eligibility Assessment Committee. The Eligibility Assessment Committee must, if practicable, be comprised of the Head of Classification and at least two other experts with appropriate medical qualifications. All members of the Eligibility Assessment Committee must sign confidentiality undertakings.
- d) If the Head of Classification believes that he or she does not hold the necessary competencies to assess the Diagnostic Information, he or she will not participate in the review of the Diagnostic Information, but will assist the Eligibility Assessment Committee.
- e) Wherever possible all references to the Athlete and the source(s) of the Diagnostic Information should be withheld from the Eligibility Assessment Committee. Each member of the Eligibility Assessment Committee will review the Diagnostic Information and decide whether such information establishes the existence of an Eligible Impairment.
- f) If the Eligibility Assessment Committee concludes that the Athlete has an Eligible Impairment the Athlete will be permitted to complete Athlete Evaluation with a Classification Panel.
- g) If the Eligibility Assessment Committee is not satisfied that the Athlete has an Eligible Impairment the Head of Classification will provide a decision to this effect in writing to the relevant NF or NPC. The NF or NPC will be given an opportunity to comment on the decision and may provide further Diagnostic Information to the Eligibility Assessment Committee for review. If the decision is subsequently revised, the Head of Classification will inform the NF or NPC.
- h) If the decision remains unchanged, the Head of Classification will issue a final decision letter to the NF or NPC.
- i) The Eligibility Assessment Committee may make its decisions by a majority. If the Head of Classification is part of the Eligibility Assessment Committee, he or she may veto any decision if he or she does not agree that the Diagnostic Information supports the conclusion that the Athlete has an Eligible Impairment.

The UCI may delegate one or more of the functions described above to a Classification Panel.

(article introduced on 01.02.18)

16.4.009 Minimum Impairment Criteria

An Athlete who wishes to compete in para-cycling must have an Eligible Impairment that complies with the Minimum Impairment Criteria for para-cycling.

The UCI has set the Minimum Impairment Criteria to ensure that an Athlete's Eligible Impairment affects the extent to which an Athlete is able to execute the specific tasks and activities fundamental to the sport.

Chapter V of the UCI Cycling Regulations specifies the Minimum Impairment Criteria and the process by which an Athlete's compliance with the Minimum Impairment Criteria is to be assessed by a Classification Panel as part of an Evaluation Session.

Any Athlete who does not comply with the Minimum Impairment Criteria for para-cycling will be allocated the Sport Class Not Eligible (NE).

A Classification Panel will assess whether or not an Athlete complies with the Minimum Impairment Criteria. This will take place as part of an Evaluation Session. Prior to participating in an Evaluation Session, an Athlete must first satisfy the UCI that he or she has an Eligible Impairment.

In relation to the use of Adaptive Equipment, the UCI has set the Minimum Impairment Criteria as follows:

- a) for Eligible Impairments other than Vision Impairment, the Minimum Impairment Criteria must not consider the extent to which the use of Adaptive Equipment might affect how the Athlete is able to execute the specific tasks and activities fundamental to the sport;
- b) for Vision Impairment, the Minimum Impairment Criteria must consider the extent to which the use of Adaptive Equipment might affect how the Athlete is able to execute the specific tasks and activities fundamental to the sport.

(article introduced on 01.02.18)

16.4.010 Sport Class

A Sport Class is a category defined by the UCI in the Classification Rules, in which Athletes are grouped by reference to the impact of an Eligible Impairment on their ability to execute the specific tasks and activities fundamental to a sport.

An Athlete who does not have an Eligible Impairment or does not comply with the Minimum Impairment Criteria for para-cycling must be allocated Sport Class Not Eligible (NE) in accordance with articles 16.4.019 – 16.4.021 of these Classification Rules.

An Athlete who complies with the Minimum Impairment Criteria for para-cycling will be allocated a Sport Class (subject to the provisions in these Classification Rules concerning Failure to Attend Athlete Evaluation and Suspension of Athlete Evaluation).

Except for the allocation of Sport Class Not Eligible (NE) by the UCI (in accordance with article 16.4.019), the allocation of a Sport Class must be based solely on an evaluation by a Classification Panel of the extent to which the Athlete's Eligible Impairment affects the specific tasks and activities fundamental to sport. Except for the Observation in Competition Assessment, this evaluation must take place in a controlled non-competitive environment, which allows for the repeated observation of key tasks and activities.

Chapter V of the UCI Cycling Regulations specify the assessment methodology and assessment criteria for the allocation of a Sport Class and the designation of Sport Class Status.

(article introduced on 01.02.18)

16.4.011 Classification Not Completed

If at any stage of Athlete Evaluation, the UCI or a Classification Panel is unable to allocate a Sport Class to an Athlete, the Head of Classification or the relevant Chief Classifier may designate that Athlete as Classification Not Completed (CNC).

The designation Classification Not Completed (CNC) is not a Sport Class and is not subject to the provisions in these Classification Rules concerning Protests. The designation Classification Not Completed (CNC) will however be recorded for the purpose of the UCI Classification Master List.

An Athlete who is designated as Classification Not Completed (CNC) may not compete in the sport of para-cycling until Athlete Evaluation is completed (provided the Athlete is allocated a Sport Class other than Not Eligible in accordance with these Classification Rules).

(article introduced on 01.02.18)

Part Four: Athlete Evaluation and the Classification Panel

16.4.012 The Classification Panel

A Classification Panel is a group of Classifiers appointed by the UCI to conduct some or all of the components of Athlete Evaluation including as part of an Evaluation Session.

General Provisions

A Classification Panel for athletes with a Physical Impairment consists of two UCI accredited classifiers: a medical classifier and a technical classifier. At the discretion of the Head of Classification, a medical classifier may fill the role of a technical classifier if he/she has dual certification.

A Classification Panel for athletes with a Visual Impairments consists of two IPC/IBSA International Classifiers who specialise in Ophthalmology or Optometry.

In exceptional circumstances, a Chief Classifier may provide that a Classification Panel comprise only one Classifier, subject to that Classifier holding a valid medical qualification.

A Trainee Classifier may be part of a Classification Panel in addition to the required number of certified Classifiers and may participate in Athlete Evaluation.

(text modified on 01.02.18)

16.4.013 Classification Panel Responsibilities

A Classification Panel is responsible for conducting an Evaluation Session. As part of the Evaluation Session the Classification Panel must:

- a) assess whether an Athlete complies with the Minimum Impairment Criteria for para-cycling;

- b) assess the extent to which an Athlete is able to execute the specific tasks and activities fundamental to para-cycling; and
- c) conduct (if required) Observation in Competition Assessment.

Following the Evaluation Session, the Classification Panel must allocate a Sport Class and designate a Sport Class Status, or designate Classification Not Completed (CNC).

Prior to the Evaluation Session, the assessment as to whether an Athlete has an Eligible Impairment must be undertaken by the UCI, unless the UCI requests this to be undertaken by a Classification Panel.

Except for the Observation in Competition Assessment, the Evaluation Session must take place in a controlled non-competitive environment that allows for the repeated observation of key tasks and activities.

Although other factors such as low fitness level, poor technical proficiency and aging may also affect the fundamental tasks and activities of the sport, the allocation of Sport Class must not be affected by these factors.

An Athlete who has a Non-Eligible Impairment and an Eligible Impairment may be evaluated by a Classification Panel on the basis of the Eligible Impairment, provided the Non-Eligible Impairment does not affect the Classification Panel's ability to allocate a Sport Class.

The Sport Class allocated to the Athlete will be in accordance with the processes specified in article 16.5.003.

(text modified on 01.02.18)

16.4.014 Evaluation Sessions

The Athlete's NF or NPC is responsible for ensuring that Athletes comply with their duties as set out in this article.

In respect of Athletes:

- Athletes have the right to be accompanied by a member of the Athlete's NF or NPC when attending an Evaluation Session. The Athlete must be accompanied if he/she is a minor.
- The person chosen by the Athlete to accompany him/her at an Evaluation Session should be familiar with the Athlete's Impairment and sport history.
- The Athlete and accompanying person must acknowledge the terms of the Athlete Evaluation Consent Form as specified by the UCI.
- The Athlete must prove his/her identity to the satisfaction of the Classification Panel, by providing his/her UCI Licence.
- The Athlete must attend the Evaluation Session in sports attire and must bring all equipment used in competition, including the bicycle, tricycle or hand bike, helmet, orthopaedic brace(s), prosthesis(es), and any other equipment.
 - Any modification of the bicycle, tricycle or hand bike (e.g. support) must be submitted to the UCI for approval in accordance with the established procedure and article 16.14.002;
 - The Athlete is evaluated together with his/her orthopaedic brace/prosthesis and may entail a change of Sport Class or even division. All orthopaedic braces/prostheses must be submitted to the UCI for its approval in accordance with the established procedure;

- The Athlete must disclose the use of any medication and/or medical device/implant to the Classification Panel.
- The Athlete must comply with all reasonable instructions given by the Classification Panel.

In respect of the Classification Panel:

- The Classification Panel may request that an Athlete provide medical documentation relevant to the Athlete's Eligible Impairment if the Classification Panel believes that this will be necessary for it to allocate a Sport Class.
- The Classification Panel will conduct Evaluation Sessions in English unless otherwise stipulated by the UCI. If the Athlete requires an interpreter, a member of the Athlete's NF/NPC will be responsible for arranging for an interpreter. The interpreter is permitted to attend the Evaluation Session in addition to the member of the Athletes NF/NPC who is accompanying the Athlete at the Evaluation Session.
- The Classification Panel may at any stage seek medical, technical or scientific opinion(s), with the agreement of the Head of Classification and/or a Chief Classifier if the Classification Panel feels that such opinion(s) is necessary to allocate a Sport Class.
- In addition to any medical, technical or scientific opinion(s) sought, a Classification Panel may only have regard to evidence supplied to it by the relevant Athlete, NF, NPC and UCI (from any source) when allocating a Sport Class.
- The Classification Panel may make, create or use video footage and/or other records to assist it when allocating a Sport Class.

(text modified on 01.02.18)

16.4.015 Observation in Competition

A Classification Panel may require that an Athlete undertake Observation in Competition **Assessment** before it allocates a final Sport Class and designates a Sport Class Status to that Athlete.

Observation in Competition Assessment is undertaken so that the Classification Panel can complete its determination as to the extent to which an Eligible Impairment affects that Athlete's ability to execute the specific tasks and activities fundamental to para-cycling.

If a Classification Panel requires an Athlete to complete Observation in Competition, the Athlete Appearance will be entered in the Competition with the Sport Class allocated by the Classification Panel after the conclusion of the initial components of the Evaluation Session.

An Athlete who is required to complete Observation in Competition Assessment will be designated with Tracking Code: Observation Assessment (OA). This replaces the Athlete's Sport Class Status for the duration of Observation in Competition Assessment.

Observation in Competition Assessment must take place during First Appearance. In this regard:

- First Appearance is the first time an Athlete competes in an Event during a Competition in a particular Sport Class.

- First Appearance within a Sport Class applies to participation in all Events within the same Sport Class.

If an Athlete is:

- a) subject to a Protest following Observation in Competition; and
- b) the second Evaluation Session is conducted at that same Competition; and
- c) pursuant to the second Evaluation Session the Athlete is required to undergo Observation in Competition,

Observation in Competition must take place at the next opportunity within the Sport Class allocated to the Athlete by the Protest Panel with Tracking Code Observation Assessment (OA).

If an Athlete is not competing or misses out on competing in a second event in the Competition where the Protest was lodged, and Observation in Competition is required by the Classification Panel, the Classification Panel must act in accordance with article 16.4.011 and the Athlete may be allocated CNC or allocated a Sport Class with a Review Sport Class Status. The Classification Panel may consult the Chief Classifier and/or the Head of Classification in making the final decision.

The Classification Panel must allocate a final Sport Class and replace the Athlete's Tracking Code Observation Assessment (OA) by designating a Sport Class Status upon completion of First Appearance (or completion of any Observation in Competition conducted as part of a Protest). If changes to the Sport Class or Sport Class Status of an Athlete are made following Observation in Competition, the changes are effective immediately.

The impact of an Athlete changing Sport Class after First Appearance on medals, records and results is detailed in articles 16.18.009 and 16.9.002.

(text modified on 01.07.13; 01.02.17; 01.02.18)

16.4.016 Sport Class Status

If a Classification Panel allocates a Sport Class to an Athlete, it must also designate a Sport Class Status. The Sport Class Status indicates whether or not an Athlete will be required to undertake Athlete Evaluation in the future; and if the Athlete's Sport Class may be subject to Protest. The Sport Class Status designated to an Athlete by a Classification Panel at the conclusion of an Evaluation Session will be one of the following:

- Sport Class Confirmed (C);
- Sport Class Review (R); or
- Review with a Fixed Review Date (FRD).

Sport Class Status New

An Athlete is allocated Sport Class Status New (N) by the UCI prior to attending the Athlete's first Evaluation Session. An Athlete with Sport Class Status New (N) must attend an Evaluation Session prior to competing at any International Competition, unless the UCI specifies otherwise.

Sport Class Status Confirmed (C)

An Athlete will be designated with Sport Class Status Confirmed (C) if the Classification Panel is satisfied that both the Athlete's Eligible Impairment and the Athlete's ability to execute the specific tasks and activities fundamental to the sport are and will remain

stable (with the exception of Athletes with a Vision Impairment as referred to in article 16.4.007).

An Athlete with Sport Class Status Confirmed (C) is not required to undergo any further Athlete Evaluation (save pursuant to the provisions in these Classification Rules concerning Protests, Medical Review, and changes to Sport Class criteria).

A Classification Panel that consists of one Classifier may not designate an Athlete with Sport Class Status Confirmed (C) but must designate the Athlete with Sport Class Status Review (R).

Sport Class Status Review (R)

An Athlete will be designated Sport Class Status Review (R) if the Classification Panel believes that further Athlete Evaluation will be required.

- A Classification Panel may base its decision that further Evaluation Sessions will be required based on a number of factors, including but not limited to situations where the Athlete, has only recently entered competitions sanctioned by the UCI, has a fluctuating and/or progressive Impairment/Impairments that is/are permanent but not stable; and/or, has not reached full muscular skeletal or sports maturity.
- An Athlete with Sport Class Status Review (R) must complete Athlete Evaluation prior to competing at any subsequent International Competition, unless the UCI specifies otherwise.

Sport Class Status Review with a Fixed Review Date (FRD)

An Athlete will be designated Sport Class Status Review with a Fixed Review Date (FRD) if the Classification Panel believes that further Athlete Evaluation will be required but will not be necessary before a set date, being the Fixed Review Date.

- An Athlete with Sport Class Status with Fixed Review Date (FRD) will be required to attend an Evaluation Session at the first opportunity after the relevant Fixed Review Date.
- An Athlete who has been designated Sport Class Status Review with a Fixed Review Date (FRD) may not attend an Evaluation Session prior to the relevant Fixed Review Date save pursuant to a Medical Review Request and/or Protest.
- A Classification Panel that consists of only one Classifier may not designate an Athlete with Sport Class Status Review with a Fixed Review Date (FRD) but must designate the Athlete with Sport Class Status Review (R).

Changes to Sport Class Criteria

If the UCI changes any Sport Class criteria and/ or assessment methods defined in Chapter V, then:

- The UCI may re-assign any Athlete who holds Sport Class Status Confirmed (C) with Sport Class Status Review (R) and require that the Athlete attend an Evaluation Session at the earliest available opportunity; or
- The UCI may remove the Fixed Review Date for any Athlete and require that the Athlete attend an Evaluation Session at the earliest available opportunity; and
- in both instances the relevant National Body or National Paralympic Committee shall be informed as soon as is practicable.

(text modified on 01.02.11, 01.05.16; 01.02.17; 01.02.18)

16.4.017 Multiple Sport Classes

This Article applies to Athletes who are potentially eligible to be allocated more than one Sport Class.

Athletes with Physical Impairment

An Athlete who has a Physical Impairment may meet the criteria for more than one Sport Class relevant to that Physical Impairment subject to any applicable UCI Regulations. Any such Athlete may be allocated one Sport Class only.

Changing Sport Class

If an Athlete meets the criteria of more than one Sport Class, he/she may only request to change his/her preferred Sport Class:

- a) at the end of the season when the Athlete's first Evaluation Session was completed; or
- b) after the close of the Paralympic Summer Games, and before the start of the next season thereafter.

A request to change a preferred Sport Class must be made to the UCI by the Athlete's NPC/NF in accordance with the above-mentioned time frames.

Nothing in this article precludes an Athlete from making a Medical Review Request at any time in respect of any Sport Class.

(article introduced on 01.02.18)

16.4.018 Notification of Outcomes of Athlete Evaluation

The outcome of Athlete Evaluation will be notified to the Athlete and/or their NF/NPC after the completion of Athlete Evaluation.

The UCI will publish the outcomes prior to the start of the Competition through the Classification Communique.

As per article 16.4.015, if a Classification Panel requires an Athlete to complete Observation in Competition, the Athlete **compete will be entered** in the Competition with the Sport Class that is allocated by the Classification Panel **after** the conclusion of the initial components of **the Evaluation Session and designated with Tracking Code: Observation Assessment (OA)**.

Athletes will be notified of the outcome as soon as practicably possible after the Athletes First Appearance.

The UCI will publish the outcomes post Competition via the Classification Master List on the UCI website.

(text modified on 01.02.11; 01.02.17; 01.02.18)

Part Five: Sport Class Not Eligible (NE)

16.4.019 Sport Class Not Eligible

General Provisions

If the UCI determines that an Athlete:

- has an Impairment that is not an Eligible Impairment; or
- does not have an Underlying Health Condition,

the UCI will allocate the Athlete Sport Class Not Eligible (NE).

If a Classification Panel determines that an Athlete who has an Eligible Impairment does not comply with Minimum Impairment Criteria for Para-cycling, the Athlete will be allocated Sport Class Not Eligible (NE).

Absence of Eligible Impairment

If the UCI determines that an Athlete does not have an Eligible Impairment, that Athlete:

- will not be permitted to attend an Evaluation Session; and
- will be allocated with Sport Class Not Eligible (NE) and designated with Sport Class Status Confirmed (C) by the UCI.

If another International Sport Federation has allocated an Athlete with Sport Class Not Eligible (NE) because the Athlete does not have an Eligible Impairment the UCI may likewise do so without the need for the process detailed in article 16.4.008 of these Classification Rules.

An Athlete who is allocated Sport Class Not Eligible (NE) by the UCI or a Classification Panel (if delegated by the UCI) because that Athlete has:

- an Impairment that is not an Eligible Impairment; or
- a Health Condition that is not an Underlying Health Condition;

has no right to request such determination be reviewed by a second Classification Panel and will not be permitted to participate in any sport.

Absence of Compliance with Minimum Impairment Criteria

A second Classification Panel must review by way of a second Evaluation Session any Athlete who is allocated Sport Class Not Eligible (NE) on the basis that a Classification Panel determines that the Athlete does not comply with Minimum Impairment Criteria. This must take place as soon as is practicable.

Pending the second Evaluation Session the Athlete will be allocated Sport Class Not Eligible (NE) and designated Sport Class Status Review (R). The Athlete will not be permitted to compete before such re-assessment.

If the second Classification Panel determines that the Athlete does not comply with Minimum Impairment Criteria (or if the Athlete declines to participate in a second Evaluation Session at the time set by the Chief Classifier); Sport Class Not Eligible (NE) will be allocated and the Athlete designated with Sport Class Status Confirmed (C).

If an Athlete makes (or is subject to) a Protest on a previously allocated Sport Class other than Not Eligible (NE) and is allocated Sport Class Not Eligible (NE) by a Protest Panel, the Athlete must be provided with a further and final Evaluation Session which will review the decision to allocate Sport Class Not Eligible (NE) made by the Protest Panel.

If a Classification Panel allocates Sport Class Not Eligible (NE) on the basis that it has determined that an Athlete does not comply with Minimum Impairment Criteria for a sport the Athlete may be eligible to compete in another sport, subject to Athlete Evaluation for that sport.

If an Athlete is allocated Sport Class Not Eligible (NE), this does not question the presence of a genuine Impairment. It is only a ruling on the eligibility of the Athlete to compete in the sport of Para cycling.

(article introduced on 01.02.18)

Part Six: Protests

16.4.020 Scope of a Protest

A Protest may only be made in respect of an Athlete's Sport Class. A Protest may not be made in respect of an Athlete's Sport Class Status.

A Protest may not be made in respect of an Athlete who has been allocated a Sport Class Not Eligible (NE).

(text modified on 01.02.18)

16.4.021 Parties Permitted to Make a Protest

A Protest may only be made by one of the following bodies:

- A National Federation or a National Paralympic Committee (see articles 16.4.022 – 16.4.023); or
- The UCI as the International Federation for Para-cycling (see articles 16.4.024 – 16.4.025).

An Athlete is not entitled to make a Protest. A Protest must only be made on behalf of an Athlete by the Athlete's National Federation, National Paralympic Committee or the UCI.

(text modified on 01.02.18)

16.4.022 National Protests

A National Federation or a National Paralympic Committee may only make a Protest in respect of an Athlete under its jurisdiction.

A National Protest must be submitted within one (1) hour of the outcome of Athlete Evaluation being published. If the outcome of Athlete Evaluation is published following Observation in Competition, a National Protest must be submitted within fifteen (15) minutes of that outcome being published.

If an Athlete is required by a Classification Panel to undergo Observation in Competition Assessment, a National Federation or a National Paralympic Committee may make a Protest before or after First Appearance takes place. If a Protest is made before First Appearance takes place, the Athlete must not be permitted to compete until the Protest has been decided upon.

(text modified on 01.02.18)

16.4.023 National Protest Procedure

To submit a National Protest, a National Federation or a National Paralympic Committee must demonstrate that the Protest is bona fide with supporting evidence, complete the UCI Classification Protest Form, and must include the following:

- Details of the protested Athlete;
- Details of the protested decision and/or a copy of the protested decision;
- An explanation as to why the Protest has been made and the basis on which the National Federation/National Paralympic Committee believes that the protested decision is flawed;
- Reference to the specific rule(s) alleged to have been breached, **save that if the rule referenced is a discretionary rule the Protest will not comply with this point (An example of a discretionary rule is that a Classification Panel may (as opposed to must) require that an Athlete undertake Observation in Competition assessment as part of the Athlete Evaluation. If the reference to the specific rule(s) alleged to have been breached is discretionary in nature the Protest will not comply with this point);** and
- 100 EUR protest fee.

The **Protest Documents** must be submitted to the Chief Classifier of the relevant Competition within the timeframes specified by the UCI. Upon receipt of the **Protest Documents** the Chief Classifier will conduct a review of the Protest, **in consultation with the UCI**, of which there are two possible outcomes:

- the Chief Classifier may dismiss the Protest if, **in his** discretion, the Protest does not comply with the Protest requirements **of article 16.4.023; or**
- the Chief Classifier may accept the Protest if, in **his** discretion, the Protest complies with the Protest requirements **of article 16.4.023.**

If the Protest is dismissed, the Chief Classifier must notify all relevant parties and provide a written explanation to the National Federation or National Paralympic Committee as soon as practicable. The Protest Fee will be forfeited.

If the Protest is accepted:

- the **Protested Athlete's Sport Class** must remain unchanged pending the outcome of the Protest, but the **Protested Athlete's Sport Class Status** must **immediately** be changed to **Review (R)**, unless the **Protested Athletes Sport Class Status** is already **Review (R)**;

- the Chief Classifier will appoint a Protest Panel to conduct a new Evaluation Session as soon as possible, which must be, if practicable, at the Competition the Protest was made or at the next Competition; and
- the Chief Classifier will notify all relevant parties of the time and date the new Evaluation Session is to be conducted by the Protest Panel.

(text modified on 01.02.18)

16.4.024 UCI Protests

The UCI may, in its discretion, make a Protest at any time in respect of an Athlete under its jurisdiction if:

- it considers an Athlete may have been allocated an incorrect Sport Class; or
- a National Federation/National Paralympic Committee makes a request to the UCI.
- **The assessment of the validity of the request is at the sole discretion of the UCI.**

(text modified on 01.02.18)

16.4.025 UCI Protest Procedure

If the UCI decides to make a Protest, the Head of Classification will advise the relevant National Federation/National Paralympic Committee of the UCI Protest at the earliest possible opportunity.

The Head of Classification will provide the relevant National Federation/National Paralympic Committee with a written explanation as to why the UCI Protest has been made and the basis on which the Head of Classification considers it is justified.

If the UCI makes a Protest:

- the protested Athlete's Sport Class will remain unchanged pending the outcome of the Protest;
- the protested Athlete's Sport Class Status will immediately be changed to Review unless the protested Athlete's Sport Class Status is already Review; and
- a Protest Panel must be appointed to resolve the Protest as soon as reasonably possible.

(text modified on 01.02.18)

16.4.026 Protest Panel

A Chief Classifier may fulfil one or more of the Head of Classification's **duties in this article** if authorised to do so by the Head of Classification.

A Protest Panel must be appointed by the Head of Classification in a manner which is consistent with the provisions for appointing a Classification Panel **in these Classification Rules**.

A Protest Panel must not include any person who was a member of the Classification Panel who:

- made the protested decision; or
- conducted any component of Athlete Evaluation in respect of the protested Athlete within a period of 12 months prior to the date of the protested decision, unless otherwise agreed by the National Federation/National Paralympic Committee, or the UCI (whichever is relevant).

The Head of Classification will notify all relevant parties of the time and date of the Evaluation Session that must be conducted by the Protest Panel.

The Protest Panel must conduct the new Evaluation Session in accordance with these Classification Rules.

The Protest Panel may refer to the Protest Documents when conducting the new Evaluation Session.

The Protest Panel will allocate a Sport Class and designate a Sport Class Status. All relevant parties will be notified of the Protest Panel's decision in a manner consistent with the provisions for notification in these Classification Rules.

The decision of a Protest Panel in relation to both a National Protest and a UCI Protest is final. A National Federation, National Paralympic Committee or the UCI may not make another Protest at the relevant Competition.

The impact of an Athlete changing Sport Class after a Protest on medals, records and results is detailed in articles 16.18.009 and 16.9.002.

(text modified on 01.02.18)

16.4.027 Provisions Where No Protest Panel is Available

If a Protest is made at a Competition but there is no opportunity for the Protest to be resolved at that Competition:

- the protested Athlete must be permitted to compete in the Sport Class that is the subject of the Protest with Sport Class Status Review, pending the resolution of the Protest; and
- all reasonable steps must be taken to ensure that the Protest is resolved at the earliest opportunity.

(text modified on 01.02.18)

Application during Major Competitions

16.4.028 Ad Hoc Provisions Relating to Protests

The IPC and/or the UCI may issue special ad hoc provisions to operate during the Paralympic Games or other Competitions.

(article introduced on 01.02.18)

Part Seven: Misconduct during an Evaluation Session

16.4.029 Failure to Attend Athlete Evaluation

An Athlete is personally responsible for attending an Evaluation Session.

An Athlete's National Federation/National Paralympic Committee must take reasonable steps to ensure that the Athlete attends an Evaluation Session.

If an Athlete fails to attend an Evaluation Session, the Classification Panel will report the failure to the Chief Classifier. The Chief Classifier may, if satisfied that a reasonable explanation exists for the failure to attend and subject to the practicalities at a Competition, specify a revised date and time for the Athlete to attend a further Evaluation Session before the classification panel. If the Athlete is unable to provide a reasonable explanation for non-attendance, or if the Athlete fails to attend an Evaluation Session on a second occasion, no Sport Class will be allocated and the Athlete will not be permitted to compete at the relevant Competition.

(text modified on 01.02.18)

16.4.030 Suspension of Athlete Evaluation

A Classification Panel, in consultation with the Chief Classifier, may suspend **an Evaluation Session** if it cannot allocate a Sport Class to the Athlete, including, but not limited to, one or more of the following circumstances:

- a failure on the part of the Athlete to comply with any part of these Classification Rules;
- a failure on the part of the Athlete to provide any medical information that is **reasonably** required by the Classification Panel;
- the Classification Panel believes that the use (or non-use) of any medication and/or medical procedure/device/implant disclosed by the Athlete will affect the ability to conduct Athlete Evaluation in a fair manner;
- the Athlete has a Health Condition that may limit or prevent from complying with requests of the Classification Panel during **an Evaluation Session**, which the Classification Panel considers will affect its ability to conduct **the Evaluation Session** in a fair manner;
- the Athlete is unable to communicate effectively with the Classification Panel;
- the Athlete refuses **or is unable** to comply with any **reasonable** instructions given by any Classification Personnel to such an extent that an Evaluation **Session** cannot be conducted in a fair manner; and/or
- the Athlete's presentation of his or her abilities is inconsistent with any information available to the Classification Panel to such an extent that **the Evaluation Session** cannot be conducted in a fair manner.

If **an Evaluation Session** is suspended by a Classification Panel, the following steps must be taken:

- an explanation **for** the suspension and details of the remedial action that is required **on the part of** the Athlete will be provided to the Athlete and/or the relevant National Federation or National Paralympic Committee;
- if an Athlete takes the remedial action to the satisfaction of the Chief Classifier or Head of Classification, Evaluation **Session** will be resumed;
- if the Athlete fails to comply and does not take the remedial action within the **timeframe specified**, **the Evaluation session** will be terminated **and the**

Athlete will be precluded from competing at any Competition until the determination is completed.

If an Evaluation Session is suspended by a Classification Panel, the Classification Panel may designate the Athlete as "Classification Not Completed (CNC) in accordance with article 16.4.011 of these Classification Rules.

A suspension of Athlete Evaluation may be subject to further investigation into any possible Intentional Misrepresentation.

(text modified on 01.02.18)

Part Eight: Medical Review

16.4.031 Medical Review

This article applies to any Athlete who has been allocated a Sport Class with Sport Class Status Confirmed (C) or Review with Fixed Review Date (FRD).

A Medical Review Request must be made if a change in the nature or degree of an Athlete's Impairment changes the Athlete's ability to **execute** the specific tasks and activities required by a sport in a manner that is clearly distinguishable from changes attributable to levels of training, fitness and proficiency.

A Medical Review Request must be made to the UCI by the Athletes National Federation or National Paralympic Committee (together with a 100EUR non-refundable fee and any supporting documentation). The Medical Review Request must explain how and to what extent the Athlete's Impairment has changed, and why it is believed that the Athlete's **ability to execute the specific tasks and activities required by a sport has changed**.

A Medical Review Request must be received by the UCI as soon as reasonably practicable.

The Head of Classification will, in conjunction with such third parties as he or she considers appropriate, decide whether or not the Medical Review Request is upheld as soon as is practicable following receipt of the Medical Review Request.

Any Athlete or Athlete Support Personnel who becomes aware of **a change in the nature or degree of an Athlete's Impairment changes the Athlete's ability to execute the specific tasks and activities required by a sport but fails to draw these changes to the attention of their National Federation, National Paralympic Committee or the UCI** may be investigated in respect of possible Intentional Misrepresentation.

If **a** Medical Review Request is **accepted**, the Athlete's Sport Class Status will be amended to Review with immediate effect. If the Medical Review Request is declined, there will be no change to the Athletes Sport Class Status and the Athlete will not be entitled to further Athlete Evaluation.

(text modified on 01.02.11, 01.05.16; 01.02.17; 01.02.18)

Part Nine: Intentional Misrepresentation

16.4.032 Intentional Misrepresentation

It is a disciplinary offence for an Athlete to intentionally misrepresent (either by act or omission) his or her skills and/or abilities and/or the degree or nature of Eligible

Impairment during Athlete Evaluation and/or at any other point after the allocation of a Sport Class. This disciplinary offence is referred to as 'Intentional Misrepresentation'.

It will be a disciplinary offence for any Athlete or Athlete Support Personnel to assist an Athlete in committing Intentional Misrepresentation or to be in any other way involved in any other type of complicity involving Intentional Misrepresentation, including but not limited to covering up Intentional Misrepresentation or disrupting any part of the Athlete Evaluation process.

In respect of any allegation relating to Intentional Misrepresentation, the UCI may refer the case to the UCI Disciplinary Commission which shall decide whether the Athlete or Athlete Support Personnel has committed Intentional Misrepresentation.

The consequences to be applied to an Athlete or Athlete Support Personnel who is found to have been guilty of Intentional Misrepresentation and/or complicity involving Intentional Misrepresentation shall be one or more of the following:

- disqualification from all events at the Competition at which the Intentional Misrepresentation occurred, and any subsequent Competitions at which the Athlete competed;
- being allocated with Sport Class Not Eligible (NE) and designated a Review with Fixed Review Date (FRD) Sport Class Status for a specified period of time ranging from 1 to 4 years;
- suspension from participation in Competitions in all sport for a specified period of time ranging from 1 to 4 years; and
- the UCI may publish their names and suspension period.

Such allocation or suspension shall be issued by the UCI Disciplinary Commission. The UCI may publish their names and suspension period.

Any Athlete who is found to have been guilty of Intentional Misrepresentation and/or complicity involving Intentional Misrepresentation on more than one occasion shall be allocated Sport Class Not Eligible with Fixed Review Date Status for a period of time from four years to life. Such allocation shall be issued by the UCI Disciplinary Commission.

Any Athlete Support Personnel who is found to have been guilty of Intentional Misrepresentation and/or complicity involving Intentional Misrepresentation on more than one occasion shall be suspended from participation in any Competition for a period of time from four years to life. Such suspension shall be issued by the UCI Disciplinary Commission.

If another International Sports Federation brings disciplinary proceedings against an Athlete or Athlete Support Personnel in respect of Intentional Misrepresentation which results in consequences being imposed on that Athlete or Athlete Support Personnel, those consequences shall be recognised, respected and enforced by the UCI.

Teams which include an Athlete or Athlete Support Personnel who is found to have been guilty of Intentional Misrepresentation and/or complicity involving Intentional Misrepresentation, shall be Disqualified from all events at the Competition at which the Intentional Misrepresentation occurred, and any subsequent Competitions in which the Athlete competed. Any team, whether composed differently or not, of which such Athlete was a member, shall be Disqualified from the same Competitions as the Athlete.

Any disciplinary action taken by the UCI pursuant to these Classification Rules must be compliant with Part XII of the UCI Regulations.

If the UCI commences disciplinary proceedings against an Athlete or Athlete Support Personnel in respect of Intentional Misrepresentation (and/or complicity involving Intentional Misrepresentation), the UCI may impose a provisional suspension in accordance with the relevant provisions of Part XII of the UCI Regulations.

If the UCI brings disciplinary proceedings against an Athlete or Athlete Support Personnel in respect to Intentional Misrepresentation which results in the imposition of a period of being Not Eligible, the said period of being Not Eligible must be recognised, respected and enforced by all licence-holders and National Federations.

(text modified on 01.01.16; 01.02.17; 01.02.18)

Part Ten: Appeals

16.4.033 Appeal

An Appeal is the process by which a formal objection to **how** Athlete Evaluation and/or Classification procedures have been conducted is submitted and subsequently resolved.

(text modified on 01.02.18)

16.4.034 Parties Permitted to Make an Appeal

An Appeal may only be made by one of the following bodies:

- a National Federation; or
- a National Paralympic Committee

(text modified on 01.02.18)

16.4.035 Appeals

If a National Federation or National Paralympic Committee considers there have been procedural errors made in respect of the allocation of a Sport Class and/or Sport Class Status and as a consequence an Athlete has been allocated an incorrect Sport Class or Sport Class Status, it may submit an Appeal.

The UCI has designated the Board of Appeal of Classification (BAC) **to act** as the **hearing body for the resolution of Appeals**.

An Appeal must be made and resolved in accordance with the **applicable BAC Bylaws**.

(text modified on 01.02.11; 01.02.17; 01.02.18)

16.4.036 Ad Hoc Provisions Relating to Appeals

The IPC and/or the UCI may issue special ad hoc provisions to operate during the Paralympic Games or other Competitions.

(article introduced 01.02.18)

Chapter V PARA-CYCLING DIVISION & SPORT CLASS PROFILES

(chapter changed on 01.10.10; 01.02.18)

16.5.001 Eligible Impairment Types

The following eight (8) impairment types are eligible in Para-cycling. An Athlete must have at least one of the Eligible Impairment types listed in the first column of the table. The Eligible Impairment must result directly from an Underlying Health Condition (e.g. trauma, disease, dysgenesis) and must be Permanent.

Eligible Impairment Type	Examples of an Underlying Health Condition that can lead to the Eligible Impairment:
<p>Impaired Muscle Power Athletes with Impaired Muscle Power have a Health Condition that either reduces or eliminates their ability to voluntarily contract their muscles in order to move or to generate force.</p>	<p>Spinal cord injury (complete or incomplete, tetra-or paraplegia or paraparesis), muscular dystrophy, post-polio syndrome and spina bifida.</p>
<p>Impaired Passive Range of Movement Athletes with Impaired Passive Range of Movement have a restriction or a lack of passive movement in one or more joints.</p>	<p>Arthrogryposis and contracture resulting from chronic joint immobilisation or trauma affecting a joint.</p>
<p>Limb Deficiency Athletes with Limb Deficiency have total or partial absence of bones or joints as a consequence of trauma, illness or congenital limb deficiency.</p>	<p>Traumatic amputation, amputation due to bone cancer or dysmelia.</p>
<p>Leg Length Difference Athletes with Leg Length Difference have a difference in the length of their legs as a result of limb growth, or as a result of trauma.</p>	<p>Dysmelia and congenital or traumatic disturbance of limb growth.</p>
<p>Hypertonia Athletes with hypertonia have an increase in muscle tension and a reduced ability of a muscle to stretch caused by damage to the central nervous system. Inclusion; Hypertonia e.g. spasticity, rigidity and dystonia Exclusion; Low muscle tone</p>	<p>Cerebral palsy, traumatic brain injury and stroke.</p>
<p>Ataxia Athletes with Ataxia have uncoordinated movements caused by damage to the central nervous system. Inclusion; cerebellar Ataxia only Exclusions; sensory ataxia, problems of control of voluntary movement that do not fit description of cerebellar Ataxia</p>	<p>Cerebral palsy, traumatic brain injury, stroke and multiple sclerosis.</p>
<p>Athetosis Athletes with Athetosis have continual slow involuntary movements. Inclusions; athetosis, chorea, dyskinesia Exclusions; sleep related movement disorders</p>	<p>Cerebral palsy, traumatic brain injury and stroke.</p>

<p>Vision Impairment Athletes with Vision Impairment have reduced or no vision caused by damage to the eye structure, optical nerves or optical pathways, or visual cortex of the brain.</p>	<p>Retinitis pigmentosa and diabetic retinopathy.</p>
---	---

(text modified on 01.02.10; 01.07.10; 01.02.11; 01.01.16; 01.02.17; 01.02.18)

16.5.002 Minimum Impairment Criteria (MIC)

The UCI has set Minimum Impairment Criteria (MIC) to ensure that an Athlete's Eligible Impairment affects the extent to which an Athlete is able to execute the specific tasks and activities fundamental to Para-cycling. The following MIC define how severe an Athlete's impairment must be to be eligible for Para cycling.

Eligible Impairment	Minimum Impairment Criteria
Impaired Muscle Power	Upper limb - Full loss of grip in one hand, inability to form and maintain a cylindrical grasp - Muscle Grade 0. Lower Limb - Inability to heel raise to 25 degrees tested in single leg stance. Comparable incomplete spinal cord injury or comparable multiple impairment with a tested point score of between 20 and 59 points.
Impaired Passive Range of Movement	Loss of Passive Range of Movement comparable with a tested point score of between 20 and 59 points.
Limb Deficiency	Upper Limb – Amputation of all fingers and thumb through MCP (or dysmelia with no functional grip - Muscle Grade 0). Lower Limb – Amputation of the foot through Lisfranc or comparable dysmelia.
Leg Length Difference	The difference in length between right and left legs must be equal to or more than 7cm.
Hypertonia	Spasticity grade 1 in the affected arm or leg plus clear neurological signs to demonstrate Upper Motor Neuron lesion such as: Positive unilateral or bilateral Hoffman/Babinski; Noticeably brisk reflexes or clear differences in reflexes left versus right.
Ataxia	Occasional and mild or subtle signs of Ataxia (reference to SARA scale).
Athetosis	Occasional Dyskinesia signs with mild or subtle intensity or amplitude of movement (reference to DIS Scale). Unilateral or bilateral (symmetrical/asymmetrical)

<p>Vision Impairment</p>	<p>MIC for Athletes with a Vision Impairment have been set based on the Athlete's corrected vision. The difference in approach for Athletes with Vision Impairment must be seen within the historical context of Classification for these Athletes, which is an assessment with 'best correction' as used in the context of medical diagnostics for visual acuity.</p> <p>The Athlete must meet both of the criteria below:</p> <p>The Athlete must have at least one of the following Impairments:</p> <ul style="list-style-type: none"> • impairment of the eye structure; • impairment of the optical nerve/optic pathways; • impairment of the visual cortex. <p>The Athlete's Visual Impairment must result in a visual acuity of less than or equal to LogMAR 1.0 or a visual field restricted to less than 40 degrees diameter.</p>
---------------------------------	--

(article introduced on 01.02.18)

16.5.003 Assessment Methodology

The following methods are used for assessing the Eligible Impairment types in Para-cycling:

Eligible Impairment	Assessment Method	Scale/Measurements
Impaired Muscle Power	Manual muscle testing methods through the reference range for Para cycling.	Daniels and Worthingham muscle grading scale (2007) and Reference range of motion for Para cycling.
Impaired Passive Range of Movement	Classifier moves the joint of interest through the available range while the Athlete is relaxed.	Degrees (Clarkson H.M. Musculoskeletal assessment: joint range and manual muscle strength, 2nd edition. Philadelphia, Lippincott Williams and Wilkins, 2000).
Limb Deficiency	Standard landmarks and direct measurement of residual limb.	All measures are taken in conformity with the International Society for the Advancement of Kinanthropometry (ISAK) standardized measures. All measures are taken in centimetres (cm) rounded at 1 digit behind the comma.

UCI CYCLING REGULATIONS

Leg Length Difference	Measurement of difference between legs in supine.	All measures are taken in conformity with the International Society for the Advancement of Kinanthropometry (ISAK) standardized measures. All measures are taken in centimetres (cm) rounded at 1 digit behind the comma.
Hypertonia	A 'catch' on rapid passive movement.	Australian Spasticity Assessment Scale (ASAS).
Ataxia	Ataxic movements must be demonstrable in test of coordination and balance	Qualitative Assessment of Movement and Coordination. Scale for the assessment and Rating of Ataxia (SARA) modified for Para cycling.
Athetosis/Dystonia	Athetosis must be evident in abnormal posturing and inability to control unwanted movements at rest and in activity.	Dyskinesia Impairment Scale (DIS) modified for Para cycling.
Vision Impairment	Visual acuity is tested using the LogMAR chart for distance visual acuity testing with Illiterate "E" and/or the Berkeley Rudimentary Vision Test. Visual field may be tested using a Goldmann Visual Field Perimeter, Humphrey Field Analyser or Octopus Interzeag. The software in automatic perimeters must be for full range fields (80° or more), not only for central visual fields. The reference stimulus/isopter is Goldman III/4 or the equivalent on other equipment.	Visual Acuity: LogMAR and/or the Berkeley Rudimentary Vision Test. Visual Field: Goldmann Visual Field Perimeter, Humphrey Field Analyser or Octopus Interzeag.

(article introduced on 01.02.18)

16.5.004 Sport Class Profiles

The allocation of a Sport Class is based solely on an evaluation by a Classification Panel of the extent to which the Athlete's Impairment affects the specific tasks and activities fundamental to Para cycling.

The following Sport Class profiles determine the division and the Sport Class in which an Athlete will compete. The assessment methods for each of the Eligible Impairment types as defined in article 16.05.003 determine the severity of the Athlete's impairment.

Although other factors such as low fitness level, poor technical proficiency and aging may also affect the fundamental tasks and activities of the sport, allocation of Sport Class must not be affected by these factors.

(text modified on 01.02.18)

16.5.005 Division: Handcycle

Athletes classified in Hand-cycle classes H1- 4 compete using an arm powered (AP) or arm trunk power (HTP) hand bike where a recumbent position is mandatory. Athletes classified in the Handcycle class H5 compete from a kneeling position (HK).

16.5.005.1 Sport Class: H1**Impaired Muscle Power**

- Tetraplegic with impairments corresponding to a **motor** complete cervical lesion at C6 or above;
- Complete loss of trunk stability and lower limb function;
- Limited extension of the elbow with a muscle score of 6 (total of both triceps)
- **Bilateral loss of handgrip with a muscle grade 1 or a flicker;**
- **Non-spinal cord injury/incomplete spinal cord injury with sport specific activity limitation, equivalent to sport class profile H1;**

Hypertonia

- **Bilateral involvement (quadriplegia) symmetrical or asymmetrical (e.g. both sides equally affected or one side more than the other) with at least grade 3 spasticity in both lower and upper limbs;**

Ataxia/Athetosis/Dystonia

- **Severe athetosis/dystonia and (e.g. large amplitude of excessive motion and long durations of excessive motions);**
- **Severe ataxia (e.g. severe dysmetria and/or severe tremors), legs and trunk more affected than arms;**
- **Moderate to severe trunk involvement;**
- **elbow Elbow extension limitation due to hypertonia (grade 3 spasticity);**

(text modified on 01.02.18)

16.5.005.2 Sport Class: H2**Impaired Muscle Power**

- Tetraplegic with impairments corresponding to a **motor** complete cervical lesion at C7/C8 or above;
- Complete loss of trunk stability and lower limb function;
- **Triceps and biceps strength at least muscle grade 3;**

- Bilateral impaired handgrip with a muscle grade of less than or equal to 3 in one hand and less than 3 in the other hand;
- Non-spinal cord injury/incomplete spinal cord injury with a sport specific activity limitation equivalent to sport class H2;

Hypertonia

- Asymmetric or symmetric bilateral involvement with at least grade 2 spasticity in upper limb and lower limbs. Hypertonia on activity making it impossible to ride a bike or trike.

Ataxia/Athetosis/Dystonia

- Severe athetosis/ dystonia (E.g. large amplitude of excessive motion and long durations of excessive motions). Strong hypertonia, in particular in the lower limbs, making it impossible to ride a bike or trike;
- Severe ataxia (E.g. Severe dysmetria and/or severe tremors), legs and trunk more affected than arms;
- Moderate to severe trunk involvement;
- No passive elbow extension limitation.

(text modified on 01.02.10; 01.02.11; 01.02.14; 01.02.18).

16.5.005.3 Sport Class: H3

Impaired Muscle Power

- Paraplegic with impairments corresponding to a motor complete lesion from Th1 to Th10;
- Trunk stability varies from very limited trunk stability (Nil to minimal muscle strength in abdominals) to limited trunk stability (reduced to normal upper and lower abdominal strength) with a muscle grade of 0-4;
- Non-spinal cord injury/incomplete spinal cord injury with a sport specific activity limitation equivalent to sport class H3.

Hypertonia

- Asymmetric or symmetric bilateral involvement with at least grade 2 spasticity in lower limb/s and at least spasticity grade 1 in upper limb. Hypertonia on activity affecting trunk or legs and making it impossible to ride a bike or trike;
- Unilaterally affected with at least grade 3 spasticity in lower limb and with a mixture of hypertonia/spasticity and ataxia/athetosis/dystonia strong enough to affect both trunk and leg, making it impossible to ride a bike or trike.

Ataxia/Athetosis/Dystonia

- Asymmetric or symmetric bilateral involvement, moderately affected. Mixture of ataxia/athetosis/dystonia and hypertonia/spasticity;
- At least grade 2 spasticity in one or both lower limbs and hypertonia on activity making it impossible to ride a bike or trike.
- Upper limbs less affected.
- Unilateral severely with at least grade 3 spasticity in lower limb and with a mixture of hypertonia/spasticity and ataxia/athetosis/dystonia strong enough to affect both trunk and leg, making it impossible to ride a bike or trike.

(text modified on 01.02.10; 01.02.11; 01.02.14; 01.05.16; 01.02.18)

16.5.005.4 Sport Class: H4**Impaired Muscle Power**

- Paraplegic with impairments corresponding to a complete lesion from Th11 or below;
- No lower limb function/**impaired lower limb function**;
- Normal or almost normal trunk stability (**normal abdominal strength, muscle grade 4-5**);
- Non-spinal cord injury/**incomplete spinal cord injury with a sport specific activity limitation**, equivalent to sport class H4;
- **Additional impairment/s** which prevent the safe use of a conventional bicycle, tricycle or the **kneeling** position in a handcycle;

Impaired Passive Range of Motion

- **Athletes with Impaired Passive Range of Movement with a lower limb sport specific activity limitation profile equivalent to sport class H4.**

Limb Deficiency

- **Athletes with lower limb deficiencies that meet the criteria for H5 but have additional impairment/s which prevent the safe use of a conventional bicycle or the kneeling position on a handcycle.**

Hypertonia

- **Asymmetric or symmetrical bilateral involvement with grade 2 spasticity in the lower limbs and grade 0-1 spasticity in the upper limbs;**
- **Unilateral involvement; at least grade 2 spasticity in the lower limb and grade 0-1 spasticity in the upper limb;**
- **Hypertonia on activity making it impossible to use legs on a trike or bike.**
- **Additional impairment/s which prevent the kneeling position in a hand-cycle.**

Ataxia/Athetosis/Dystonia

- **Asymmetric or symmetrical bilateral involvement, mild – moderate;**
- **Unilateral Involvement, mild – moderate;**
- **Mild trunk involvement;**
- **Athletes who are unable to ride a bike or trike due to poor balance and righting reactions in trunk;**
- **Additional impairment/s which prevent the kneeling position in a hand-cycle.**

(text modified on 01.02.10; 01.02.11; 01.02.14; 01.02.18)

16.5.005.5 Sport Class: H5

An athlete who can use the kneeling position, **without compromising their health**, must use it and therefore will be classified accordingly.

Impaired Muscle Power

- Paraplegic with impairments corresponding to a complete lesion from Th11 or below;
- **Normal abdominal strength, and normal trunk extension strength (e.g. normal trunk control);**

Limb Deficiency

- Athletes who meet the Minimum Impairment Criteria for lower limb deficiency who have additional impairment/s which prevent the safe use of a conventional bicycle but are able to use the kneeling position on a hand-cycle.

Hypertonia

- Asymmetric or symmetrical bilateral involvement, lower limbs affected and upper limbs normal or near normal;
- Unilateral moderate/severe involvement; at least grade 2 spasticity in the lower limb and grade 0-1 spasticity in the upper limb;
- Mild/normal trunk involvement;
- Hypertonia on activity making it impossible to ride a bike or trike;

Ataxia/Athetosis/Dystonia

- Asymmetric or symmetrical bilateral involvement, mild – moderate;
- Unilateral Involvement, mild – moderate;
- Mild/normal trunk involvement;

(text modified on 01.02.10; 01.02.14; 01.02.18)

16.5.006 Division: Tricycle

Athletes in the Tricycle division are unable to ride a bicycle due to lack of balance and/or restriction in pedalling due to spasticity/dystonia.

Severe locomotor dysfunction, can be mixed pattern (athetosis/dystonia/spasticity and/or ataxia).

Unilateral or bilateral involvement.

16.5.006.1 Sport Class: T1

Unable to ride a bicycle due to lack of balance and/or severe restriction in pedalling due to spasticity/ataxia/athetosis/dystonia.

Hypertonia

- Bilateral or unilateral involvement, symmetrical and asymmetrical (2, 3 or 4 limbs strongly affected);
- Spasticity grade 3 in affected lower and upper limb(s);
- Poor functional strength in trunk.
- Hypertonia on activity in the lower and upper limbs as well as trunk affects posture and balance on trike.

Ataxia

- Shows constant clear signs of ataxia.

Athetosis/Dystonia

- Severe: Constant signs of Dystonia/Athetosis with large amplitude of movement or extreme intensity of posturing.

(text modified on 01.02.10; 01.02.11; 01.02.18)

16.5.006.2 Sport Class: T2

Unable to ride a bike due to lack of balance and/or moderate restriction in pedalling due to spasticity

More fluent movement pattern and better control of trike.

Hypertonia

- Bilateral or unilateral involvement, symmetrical and asymmetrical (2, 3 or 4 limbs strongly affected);
- Spasticity grade 2 in affected lower and upper limbs limb(s).
- Hypertonia on activity can be seen.

Ataxia

- Shows frequent and moderate signs of Ataxia.

Athetosis/Dystonia

- Frequent to intermittent Dyskinesia signs with maximum to moderate intensity or amplitude of movement.

(text modified on 01.02.10; 01.02.11; 01.02.18)

16.5.007 Division: Cycling**16.5.007.1 Sport Class: C1****Muscle Power/Passive Range of Movement**

- Comparable incomplete spinal cord injury or comparable multiple impaired with a tested point score more than 210 points.

Limb Deficiency

- Single above knee amputation and above elbow or below elbow, on same side or diagonal, with or without the use of a prosthesis;
- Double through knee amputation with the use of prostheses;
- Double amputation below elbow + Single amputation above knee, no prosthesis.

Hypertonia/Ataxia/Athetosis

Locomotor dysfunction, can be mixed pattern (athetosis, spasticity or ataxia);

Hypertonia

- Severely affected unilateral or bilateral (symmetrical/asymmetrical);
- Spasticity grade 3 in lower and upper limb(s);
- Poor strength in trunk.

Ataxia

- Shows constant clear signs of ataxia;

Athetosis/Dystonia

- Severe: Constant signs of Dystonia/Athetosis with large amplitude of movement or extreme intensity of posturing;
- Unilateral or bilateral (symmetrical/asymmetrical).

(text modified on 01.02.10; 01.02.11; 01.02.17; 01.02.18)

16.5.007.2 Sport Class: C2**Muscle Power/ Passive Range of Movement**

- Comparable incomplete spinal cord injury or comparable multiple impairments with a tested point score of between 160 and 209 points;
- Limited ROM of the hip or knee or muscle weakness such that a functional full revolution of the crank is not possible. In this case, the radius of crank must be limited to 0 cm (crank is fixed).

Limb Deficiency:

- Single above elbow amputation with or without use of prosthesis + Single through knee amputation with the use of prostheses;
- Double amputation below elbow + Single amputation through knee with the use of a lower prosthesis;
- Double below knee amputation with the use of prostheses + Single above elbow amputation without the use of upper limb prosthesis;
- Single amputation above knee, no prosthesis, may have a stump support.

Hypertonia/Ataxia/Athetosis

Locomotor dysfunction, can be mixed pattern (athetosis, spasticity or ataxia):

Hypertonia

- Moderately affected unilateral or bilateral (symmetrical/asymmetrical);
- Spasticity grade 2 in affected lower and upper limbs limb(s).
- Hypertonia on activity can often be seen in one or more of the affected limbs.

Ataxia

- Shows frequent and moderate to severe signs of Ataxia.

Athetosis/Dystonia

- Frequent to intermittent Dyskinesia signs with maximum to moderate intensity or amplitude of movement;
- Unilateral or bilateral (symmetrical/asymmetrical).

(text modified on 01.02.10; 01.02.11; 01.02.18)

16.5.007.3 Sport Class: C3**Muscle Power/ Passive Range of Movement**

- Comparable incomplete spinal cord injury or comparable multiple impairments with a tested point score between 110 and 159 points.
- Limited ROM of the hip or knee such that a normal functional full revolution of the crank is not possible. In this case, it is the cyclist's option to shorten the crank to the optimal size.

Limb Deficiency

- Single above elbow amputation, no prosthesis + Single below knee BK amputation with the use of a prosthesis;
- Single through knee or above knee amputation with the use of a prosthesis + Single BE amputation
- Single below elbow amputation through knee or above knee, with or without the use of prosthesis;
- Double amputation below knee, with the use of prostheses.

Hypertonia

- Moderately affected unilateral or bilateral (symmetrical/asymmetrical);
- Spasticity grade 2 lower limb(s), lower limbs more involved;
- Spasticity grade 1 in upper limb.
- Hypertonia on activity can often be seen.

Ataxia

- Shows intermittent and mild to moderate signs of Ataxia.

Athetosis/Dystonia

- Intermittent Dyskinesia signs with sub-maximum to moderate intensity or amplitude of movement;
- Unilateral or bilateral (symmetrical/asymmetrical).

(text modified on 01.02.10; 01.02.11; 01.02.18)

16.5.007.4 Sport Class: C4

Muscle Power/ Passive Range of Movement

- Comparable **incomplete spinal cord injury or comparable** multiple impairments with a tested point score between 60 and 109 points.
- Limited ROM of the hip or knee such that a normal functional full revolution of the crank is not possible. In this case, it is the cyclist's option to shorten the crank to the optimal size.

Limb Deficiency

- Single amputation **below knee** with the use of prosthesis + Single **below elbow** amputation with or without the use of prosthesis;
- Single amputation **below knee**, with the use of prosthesis;
- Double amputation **below elbow** with or without the use of a prosthesis that allows as much functional contact as possible to the handlebar.

Hypertonia

- Mildly affected unilateral or bilateral (symmetrical/asymmetrical);
- Spasticity grade 1 lower limb(s);
- Spasticity grade 1 in upper limb;
- Occasional hypertonia on activity can be seen.

Ataxia

- Shows intermittent and mild or subtle signs of Ataxia.

Athetosis/Dystonia

- Intermittent Dyskinesia signs with moderate to mild intensity or amplitude of movement;
- Unilateral or bilateral (symmetrical/asymmetrical).

(text modified on 01.02.10; 01.02.11; 01.02.18)

16.5.007.5 Sport Class: C5

This Sport Class is for Athletes who meet the Minimum Impairment Criteria (MIC) as detailed below:

Muscle Power/ Passive Range of Movement

- Comparable **incomplete spinal cord injury or comparable** multiple impairments with a tested point score between 20 and 59 points. **For example:**
 - **Loss of functional grip or PROM that affects steering.** As a proof of the loss of functional grip, the affected athlete will not be able to operate handle-bar mounted gear and brake levers with the affected or impaired limb; **or,**
 - **Loss of muscle power or passive range of movement that affects aerodynamic position.**

Limb Deficiency

- Amputation of all fingers and thumb (through MCP) **or dysmelia without a functional grip.** As a proof of the loss of functional grip, the affected Athlete will not be able to operate handle-bar mounted gear and brake levers with the affected or impaired limb; **or**
- Amputation of the foot through Lisfranc or comparable dysmelia.

This class also includes:

- Single amputation **above elbow** with or without prosthesis;
- Single amputation **below elbow** with the use of a prosthesis.

Leg Length Difference

- The difference in length between right and left legs must be equal to or more than 7cm.

Hypertonia

- Spasticity grade 1 or more in the affected arm **or leg (one affected limb only e.g, ankle, knee or elbow);**
- Plus clear neurological signs to include:
 - Positive uni or bilateral Hoffman/**Babinski;**
 - Noticeably brisk reflexes or clear differences in reflexes left versus right.

Ataxia

- Shows occasional and mild or subtle signs of Ataxia.

Athetosis/Dystonia

- Occasional Dyskinesia signs with mild or subtle intensity or amplitude of movement;
- Unilateral or bilateral (symmetrical/asymmetrical).

(text modified on 01.02.10; 01.07.10; 01.02.11; 01.02.18)

16.5.008 Division: Tandem**16.5.008.1 Sport Class B**

This Sport Class applies to Athletes with a vision impairment (VI) who meet the Minimum Impairment Criteria. While there is one Sport Class for Athletes with a vision impairment (VI) in Para-cycling (B), athletes are designated B1, B2, B3 in the

Classification Master List in accordance with the IBSA visual classes:
<http://www.ibsasport.org/classification/>.

Minimum Impairment Criteria for Athletes with a Vision Impairment have been set based on the Athlete's corrected vision. The difference in approach for Athletes with Vision Impairment must be seen within the historical context of Classification for these Athletes, which is an assessment with 'best correction' as used in the context of medical diagnostics for visual acuity.

To be eligible to compete in Para cycling, the Athlete must meet **both** criteria below:

- The Athlete must have at least one of the following Impairments:
 - impairment of the eye structure;
 - impairment of the optical nerve/optic pathways;
 - impairment of the visual cortex

- The Athlete's Visual Impairment must result in a visual acuity of less than or equal to LogMAR 1.0 (6/60) or a visual field restricted to less than 40 degrees diameter.

Assessment Methods

All Athlete Evaluation and Sport Class allocation will be based on the assessment of visual acuity in the eye with better visual acuity or visual field when wearing the best optical correction.

Depending on an Athlete's visual acuity, visual acuity is tested using the LogMAR chart for distance visual acuity testing with Illiterate "E" and/or the Berkeley Rudimentary Vision Test.

Visual field may be tested using: Goldmann Visual Field Perimeter, Humphrey Field Analyser or Octopus Interzeag. The software in automatic perimeters must be for full range fields (80° or more), not only for central visual fields. The reference stimulus/isopter is Goldman III/4 or the equivalent on other equipment.

Athletes who compete using any corrective devices (e.g. glasses, lenses) must attend an Evaluation Session with these devices and their prescription.

An Athlete found to be using corrective devices during competition that were not declared during Evaluation Session may be subject to further investigation of Intentional Misrepresentation (see article 16.4.012).

Athletes must declare any change in their optical correction to the UCI before any competition. If the Athlete has a Sport Class Status Review with Fixed Review Date or Confirmed, the Athlete's Sport Class Status will be changed to Review. The Athlete will then undergo Athlete Evaluation prior to the next competition under the provisions of these Classification Rules. Failure to do so may result in an investigation of Intentional Misrepresentation (see article 16.4.012).

Any Athlete Support Personnel accompanying the Athlete during an Evaluation Session must remain out of sight of the visual acuity charts during the Assessment. Under the provisions set forth in these Classification Rules, Observation Assessment does not apply to Athletes with Vision Impairment.

(text modified on 01.02.18)

16.5.009 Non-Eligible Impairment Types for all Athletes

Examples of Non-Eligible Impairments include, but are not limited to the following:

- Pain;
- Hearing impairment;
- Low muscle tone;
- Hypermobility of joints;
- Joint instability, such as unstable shoulder joint, recurrent dislocation of a joint;
- Impaired muscle endurance;
- Impaired motor reflex functions;
- Impaired cardiovascular functions;
- Impaired respiratory functions;
- Impairment metabolic functions; and
- Tics and mannerisms, stereotypes and motor perseveration.

(article introduced on 01.02.18)

16.5.010 Health Conditions that are not Underlying Health Conditions for all Athletes

A number of Health Conditions do not lead to an Eligible Impairment and are not Underlying Health Conditions. An Athlete who has a Health Condition (including, but not limited to, one of the Health Conditions listed in the Eligible Impairments table) but who does not have an Underlying Health Condition will not be eligible to compete in Para cycling.

Health Conditions that primarily cause pain; primarily cause fatigue; primarily cause joint hypermobility or hypotonia; or are primarily psychological or psychosomatic in nature do *not* lead to an Eligible Impairment. Examples include:

- Health Conditions that primarily cause pain include myofascial pain-dysfunction syndrome, fibromyalgia or complex regional pain syndrome.
- A Health Condition that primarily causes fatigue is chronic fatigue syndrome.
- A Health Condition that primarily causes hypermobility or hypotonia is Ehlers-Danlos syndrome.
- Health Conditions that are primarily psychological or psychosomatic in nature include conversion disorders or post-traumatic stress disorder.

(article introduced on 01.02.18)

Chapter VI PARA-CYCLING WORLD CHAMPIONSHIPS

Programme

16.6.001 See article 9.1.011 of the UCI Regulations.

(text modified on 26.06.07; 01.01.09; 01.07.10; 01.10.13)

Participation

16.6.002 See article 9.2.062 and the following of the UCI Regulations.

(text modified on 01.02.11; 01.10.13)

16.6.003 [article abrogated on 01.10.13]

16.6.004 [article abrogated on 01.10.13]

Chapter VII ROAD RACES

§ 1 Road Races

16.7.001 All road race courses must be completely closed to other traffic.

(text modified on 26.06.07; 01.01.10; 01.01.16)

Road Race Distances

16.7.002 The maximum distances for UCI para-cycling international road races shall be:

Sport Class	Maximum
B men	120 km
B women	100 km
C5 men	100 km
C4 men	100 km
C3 men	100 km
C2 men	75 km
C1 men	75 km
C5 women	75 km
C4 women	75 km
C3 women	75 km
C2 women	60 km
C1 women	60 km
T2 men	40 km
T1 men	30 km
T2 women	30 km
T1 women	30 km
H5 men	80 km
H4 men	80 km
H3 men	80 km
H2 men	60 km
H1 men	60 km
H5 women	80 km
H4 women	60 km
H3 women	60 km
H2 women	50 km
H1 women	50 km

(text modified on 26.06.07; 01.02.08; 01.02.09; 01.01.10; 01.02.11; 01.10.13; 01.02.14)

Road Race Circuits

16.7.003 Road race circuits at all UCI para-cycling events, shall be between 7 km and 15 km. Climbs on any circuit must have a maximum of 8 % average gradient and no more than 15 % maximum on their steepest section. Total length of climbing must not be more than 25 % of the total circuit length.

Circuits which are shorter than 7 km, longer than 15 km, or exceed the above-mentioned percentage of gradient, but with unique and desirable features, may be permitted at the discretion of the UCI.

Tricycles, handcycles and youth category riders may use a shorter and less technically difficult circuit, at the discretion of UCI.

The organisers shall submit to the UCI for approval a circuit which fulfil the requirements defined in the Organisation Guide.

(text modified on 26.06.07; 01.01.10; 01.01.16)

Starting Order for Road Races

16.7.004 The UCI may decide to have several sport classes and/or age categories start together as one group. Each sport class, age category or group thus constituted must start with a minimum time gap of two minutes to avoid the mixing of groups.

Riders will be called to the line in the predefined lanes, by sport class, age category or group in the following order:

1. Road Race World Champion or outgoing Road Race World Champion respectively;
2. According to the order of the most recently published general UCI Ranking.

Riders who need assistance at the start should place themselves near the fences to facilitate a safe start for everyone.

(text modified on 01.1.09; 01.02.11; 01.10.11, 01.01.16)

Pacing / Drafting

16.7.005 In a road race where different sport classes are starting together (combined start), pacing and drafting between those sport classes is allowed.

In all races except the races with combined starts, any athlete taking pace or drafting from an athlete in another division, group or sport class, will be disqualified. The racing procedure will be in compliance with articles 2.4.017 to 2.4.020.

(text modified on 01.02.09; 01.07.10)

16.7.006 [article abrogated on 01.02.09]

16.7.007 Considering the nature of the handicap and the difficulty for certain athletes to grab a bottle during a race, the following measures will apply for the feeding by foot during the road races:

- Forbidden to feed during the first and last laps;
- Feeding authorized from both sides of the road. The feeding zones must be separated by at least 50 meters.

(article introduced on 01.02.09)

Ranking Order

16.7.007 bis Ranking order in para-cycling international races needs to be done following this procedure:

1. Riders who have finished their race with their position;
2. Riders lapped and withdrawn;
3. Abandons (DNF);
4. Disqualified riders (DSQ).

The lapped riders who are withdrawn will be ranked in the reverse order of the moment they were lapped. The riders that do not finish the race will be ranked following the number of laps completed.

(article introduced on 01.02.11)

§ 2 Individual Time Trials

16.7.008 For *UCI para-cycling world championships* nations can register a maximum of three athletes in each sport class for the individual time trial. It is recommended that all courses should be completely closed to non-race traffic. The minimum requirement is complete course closure to oncoming traffic. Time trial courses can use the same circuits as those used for road races in the same program.

(text modified on 26.06.07; 01.01.10)

Time Trial Distances

16.7.009 The maximum distances for UCI para-cycling international time trials shall be:

Sport Class	Maximum
B men	35 km
B women	30 km
C5 men	30 km
C4 men	30 km
C3 men	30 km
C2 men	25 km
C1 men	25 km

C5 women	25 km
C4 women	25 km
C3 women	25 km
C2 women	20 km
C1 women	20 km
T2 men	20 km
T1 men	15 km
T2 women	15 km
T1 women	15 km
H5 men	30 km
H4 men	30 km
H3 men	30 km
H2 men	20 km
H1 men	20 km
H5 women	30 km
H4 women	20 km
H3 women	20 km
H2 women	20 km
H1 women	20 km

(text modified on 26.06.07; 01.02.08; 01.02.09; 01.01.10; 01.02.11; 01.10.13; 01.02.14)

Starting Order for Time Trials

16.7.010 The UCI may decide to have several sport classes and/or age categories start together as one group.

The starting order of sport classes in time trials shall be established in such a way as to minimise the possibility of the athletes of one sport class passing the athletes of another sport class (i.e.: C5-C4-C3, etc). Within each sport class, age category or group, the starting order shall be determined as follows:

For events that are solely time trials:

1. The reverse order of the most recently published general UCI Ranking;
2. The reigning Time Trial World Champion or outgoing Time Trial World Champion.

For stage races:

1. The reverse order of the event's provisional general classification.

For stage races in which the first stage is a time trial:

1. The reverse order of the most recently published general UCI Ranking;
2. The reigning Time Trial World Champion.

In all cases, the commissaires panel may modify this order for the T1-2 sport classes and H division if the course is too narrow. In this special case, the starting order of the athletes will commence with the fastest riders and conclude with the slowest riders in order to ease any problems of riders passing each other during the event.

(text modified on 01.01.10; 01.02.11; 01.10.11)

16.7.011 For time trial, following cars will be authorized according to the following terms:

- 1 following car for a nation (i.e.: including national team, individuals and any other team recommended by the National Federation) with up to six riders involved in the individual time trial, all sport classes combined;
- 2 following cars for a nation with 7-12 riders involved in the individual time trial, all sport classes combined;
- 3 following cars for a nation with 13-19 riders involved in the individual time trial, all sport classes combined;
- 4 following cars for a nation with over 20 riders involved in the individual time trial, all sport classes combined.

The president of the commissaires panel can reduce the number of accredited vehicles if he considers it appropriate. All vehicle drivers must hold a UCI license issued by their national federation.

(text modified on 01.01.09; 01.10.11)

§ 3 Team Relay (TR)

16.7.012 Races shall be for athletes of the following sport classes:

- Men: H5; H4; H3; H2; H1
- Women: H5; H4; H3; H2; H1

A team shall be composed of three athletes plus substitutes. The team can be mixed, therefore composed with athletes coming from the sport classes listed above.

For all para-cycling TR competitions, the maximum shall be two teams for any given structure (national team, trade team...). A third team may be registered for each structure only if it is an all women's team. Looking at the following table, the total of points for the three TR participants must be a maximum of six (6) points including an athlete with a scoring value of one point. At the *World Championships*: The titles belong to athletes that compose the team.

Sport Class and Gender	Points
H5 men	3
H4 men	3
H3 men	2
H2 men	1
H1 men	1
<hr/>	
H5 women	2
H4 women	2
H3 women	1
H2 women	1
H1 women	1

(text modified on 01.02.11; 01.10.12; 01.02.14)

- 16.7.013** The Team manager must give the names and sport classes that make up their team as well as the order in which the athletes will be placed in the relay. The order needs to be provided to the president of the commissaires panel at the latest 1 hour after the end of the last event involving H division athletes. This start order may not be altered subsequently.

If the team relay is the first race involving athletes from Division H, The order needs to be provided to the president of the commissaires panel at the latest 1 hour after the team managers meeting.

(text modified on 01.01.11; 01.10.11; 01.01.16)

- 16.7.014** The first wave of athletes will start all together and compete like in a regular road race. As soon as an athlete from a team completes his lap and passes in front of his teammates, the next athlete will start his lap.

It is the responsibility of the team managers to give the start to their riders when the relay is passed to another athlete. A commissaire will supervise the relay zone and in case of a false start, a penalty of 10 seconds will be given to the team. The team managers are free to choose which athlete of their team will have to serve the penalty time in a dedicated box located near the relay area. If a penalty is not served before the end of the race, the team will be disqualified. If the false start happens with the last rider on the last lap, a penalty of 10 seconds will be added directly to the results and the athlete will not need to serve his time in the box.

A false start consists of an athlete who takes the relay of his teammate before he crosses the relay line. Helping a rider to start by pushing or pulling his handcycle will also be considered as a false start. A false start done more than 3 seconds before the teammate crosses the relay line will automatically result in the disqualification of the team.

(article introduced on 01.01.11; text modified on 01.01.16)

16.7.015 The staging for the following laps will be determined by team according to the result of previous *World Championships* (first five (5) positions). These teams will be entitled to choose their corridor for staging. The other teams staging will be done by draw.

(text modified on 01.02.11)

16.7.016 When a rider from a nation is lapped by the leader of the race, the nation should be pulled out of the race and will be shown in the results as lapped.

(article introduced on 01.02.11)

16.7.017 Each team is allowed two staff in the relay area in order to support its athletes.

(article introduced on 01.02.11)

Chapter VIII TRACK RACES

16.8.001 Track events are only open to athletes part of the sport classes C and B.

(text modified on 26.06.07; 01.02.08; 01.01.10; 01.01.16; 01.02.17)

16.8.002 Starting blocks must be used for all sport classes during the following track events: individual pursuit, first rider of the team sprint and kilometer/500 meters.

A 15 seconds countdown will commence when the riders are secured on their bikes and ready to start.

During these events, foam pads shall not be used in the first half of the bend.

(article introduced on 01.01.09; text modified on 01.02.17)

§1 Kilometer and 500 Meters

16.8.003 Races shall be for the following sport class and distances:

Sport Class	Distance
Tandem men and women - B	1000 m
Cycle men – C5; C4; C3; C2; C1	1000 m
Cycle women – C5; C4; C3; C2; C1	500 m

(text modified on 01.02.09; 01.01.10)

§2 Individual Pursuit

16.8.004 Races shall be for the following sport class and distances:

Sport Class	Distance
Tandem men – B	4000 m
Cycle men – C5; C4	4000 m
Cycle men – C3; C2; C1	3000 m
Tandem women – B	3000 m
Cycle women – C5; C4; C3; C2; C1	3000 m

(text modified on 01.02.09; 01.01.10)

16.8.005 Considering the variety in the types of handicap in the “C” division, it is recommended to match up athletes with similar handicaps during the qualification for the track individual pursuit, in order not to penalise or favour certain athletes. This consideration will have precedence in the pairing of the athletes.

(article introduced on 01.01.09; modified on 01.01.10)

16.8.006 When a factor is used for athletes' classification in the track individual pursuit, the athletes will evolve alone in the finals (gold-silver), (bronze-fourth) if they are not part of the same sport class and will be matched up only if they are part of the same sport class.

(article introduced on 01.01.09)

§3 Tandem Sprint

16.8.007 Races shall be for blind and visually impaired – men and women.

(text modified on 01.02.08)

Sprint Format

16.8.008 Paralympic Games and *UCI World Championships*

The qualifying time for the TS will be measured over 200 m. After the qualifying round, eight fastest riders will advance to the sprint tournament.

Starters	System	Event	Composition	1st	2nd
8	¼ Finals 4x2 → 1=4 (in 2 heats, 3 if required)	1	N1-N8	1A1	1A2
		2	N2-N7	2A1	2A2
		3	N3-N6	3A1	3A2
		4	N4-N5	4A1	4A2
4	½ Finals 2x2 → 1=2 (in 2 heats, 3 if required)	1	1A1-4A1	1B1	1B2
		2	2A1-3A1	2B1	2B2
4	Finals 7-8 2x1 → 1=2	1	1A2-2A2	7 th	8 th
	Finals 5-6 2x1 → 1=2	2	3A2- 4A2	5 th	6 th
4	Finals 2x2 → 1=2 (in 2 heats, 3 if required)	1	1B2-2B2	3 rd (Bronze)	4 th
		2	1B1-2B1	1 st (Gold)	2 nd (Silver)

(article introduced on 01.01.09; text modified on 01.07.11)

§4 Team Sprint (TS)

16.8.009 Races shall be for:

- Men – C5; C4; C3; C2; C1
- Women – C5; C4; C3; C2; C1

A team should be composed of three athletes plus substitutes. The team can be mixed, therefore composed with athletes coming from the sport class listed above.

For all para-cycling TS competitions, the maximum shall be one team for any given structure (national team, trade team...). A second team might be registered for each structure only if it is an all women's team. Looking at the following table, the total of points for the three TS participants must be a maximum of 10 points.

Gender, Sport Class	Points
Men C5	4
Men C4	4
Men C3	3
Men C2	2
Men C1	1
Women C5	3
Women C4	3
Women C3	2
Women C2	1
Women C1	1

During qualification phases, one single team can be on the track at a time, while during finals, two teams can be on the track at the same time.

(text modified on 26.06.07; 01.02.09; 01.01.10; 01.06.10; 01.02.11; 01.02.12)

- 16.8.010** This event consists of two series. The first series is a qualifying round, where teams shall ride alone against the clock, to determine the four fastest teams which shall then contest the finals. During the finals, teams shall compete against each other. The teams having made the two best times shall ride the finals for the first and second places, the two others shall ride the finals for third and fourth places.

(article introduced on 01.01.09, text modified on 01.02.17)

- 16.8.011** [article abrogated on 01.02.09]

- 16.8.012** [article abrogated on 01.02.09]

§5 Scratch Race

- 16.8.013** Articles 3.2.173 and the following apply for scratch races in track para-cycling, with the exception of the provisions described below.

(article introduced on 01.10.13)

- 16.8.014** For each sport class, the distances are the following:

Sport Class	Distance
Men Cycle – C5; C4; C3; C2, C1	15 km
Women Cycle – C5; C4; C3; C2, C1	10 km

Sport classes will be regrouped as follow, for both men and women:

- C4-5: Maximum of two athletes per nation
- C1-3: Maximum of two athletes per nation

Nations are allowed to enter two athletes of the same sport class in each of the sub-mentioned groups.

(article introduced on 01.10.13; text modified on 01.01.16)

Chapter IX WORLD RECORDS

16.9.001 The world record is the exclusive property of the UCI.

New world records will be recognised and ratified by the UCI only.

(text modified on 26.06.07; 01.10.11; 01.07.12)

16.9.002 A new world record submission will only be accepted from an athlete who has a confirmed (C) or review (R) status for the sport class in which the new record was set. The athlete must also possess a valid international racing licence from a UCI affiliated national cycling federation.

Changes of sport class result in the cancellation of the record.

(text modified on 01.02.11; 01.07.12)

16.9.003 Only world records (except the hour records) set during a competition on the international or national calendar may be recognised.

The hour record may be set during a special attempt that shall be ridden in accordance with the relevant UCI Regulations. Any special hour record attempt requires the prior written authorisation of the UCI. The authorisation is subject to the requirements described from articles 3.5.005 to 3.5.013 and 3.5.015 of the UCI Regulations.

Only world records attempted on a traditional bicycle, as defined in articles 1.3.006 to 1.3.010 and 1.3.019 of the UCI Regulations, including tandem may be homologated. Handcycles and tricycles can therefore not make a request for the homologation of a world record.

Records must be set on a UCI-approved track.

(text modified on 01.02.08; 01.02.09; 01.07.12; 01.01.16)

16.9.004 World records are solely recognised for the events and sport classes indicated in article 16.8.003, 16.8.004, 16.8.007, 16.8.009 (on 250 m track only) as well as the 200 m and the hour record.

The para-cycling hour record attempt shall be conducted according to the articles 3.5.026 to 3.5.033 of the UCI Regulations.

(text modified on 1.02.11; 1.10.11; 1.07.12; 01.01.16)

16.9.005 A succinct report specifying the circumstances in which the record has been set shall in all cases be drawn up on the template provided by the UCI. The report shall be immediately written and signed by the UCI international commissaire, by at least one other official present and by the athlete(s) who set the record.

See appendix 1

(article introduced on 01.07.12)

- 16.9.006** Except for records set during the Paralympic Games, *World Championships* and World Cup events, no world record can be ratified if the athlete in question did not submit to an anti-doping control in accordance with the UCI Anti-doping Rules at the end of the race. For team events, all team members who have set the new record shall submit to the test.

The costs of such an anti-doping control shall be borne by the national federation of the athlete(s) concerned.

Any world record can be ratified only if the doping control the athlete(s) underwent has proven negative.

(article introduced on 01.07.12)

- 16.9.007** No record shall be ratified if it does not comply with all applicable provisions.

(article introduced on 01.07.12)

- 16.9.008** A record broken the same day shall not be ratified.

(article introduced on 01.07.12)

- 16.9.009** Records performed during World Cup events, *World Championships* or Paralympic Games may be ratified by a certified copy of the official result communiqué, signed by the president of the commissaires' panel and by the UCI Technical Delegate.

(article introduced on 01.07.12)

- 16.09.010** A world record shall be recognised only if ratified by the UCI.

(article introduced on 01.07.12)

- 16.09.011** A request for ratification shall be lodged by the athlete that set the record or by his national federation. To be considered, the request shall have reached the UCI headquarters at the latest one month after the date the record was set.

(article introduced on 01.07.12)

- 16.09.012** If the UCI considers that there exist circumstances opposing ratification of a world record, it shall invite the athlete or his representative to elucidate those circumstances before taking a decision. If that is not done and if the record is not ratified the athlete may lodge an appeal with CAS.

(article introduced on 01.07.12)

16.09.013 The UCI also ratifies and recognises Paralympic records.

(article introduced on 01.07.12)

Chapter X RACE CLOTHING

16.10.001 For race clothing provisions, articles 1.3.026 and the following apply.

(article introduced on 01.10.13)

16.10.002 For all sport classes in road events, athletes are required to wear a helmet in the correct sport class colour, or use an appropriately coloured helmet cover, as follows:

Red	C5 men / women
	T2 men
	H4 men / women
	B men
White	C4 men / women
	H3 men / women
	B women
	T2 women
Blue	C3 men / women
	H2 men
	T1 women
Black	H5 men / women
	C2 men / women
	T1 men
Yellow	C1 men / women
	H2 women
Green	H1 men
Orange	H1 women

The athletes' sport classes are recognisable by using the above-mentioned helmet colours, which enable the commissaires and public to detect without delay and confusion the group they belong to. Athletes using the wrong colour helmet in road events will not be allowed to start or will be withdrawn from the race and disqualified.

(text modified on 26.06.07; 01.02.09; 01.01.10; 01.07.10; 01.10.13; 01.02.14; 01.01.16)

Tandem

16.10.003 Athletes competing on a tandem must wear identical race clothing (jersey, shorts), except case described in article 1.3.063.

(text modified on 01.10.13 ; 01.10.13)

Use of Catheters

16.10.004 It is mandatory for cyclists who use catheters or other urinary diversion devices to prevent spillage by using a catheter bag at all times. This includes during training, competition and classification. The penalty structure will be in compliance with Part 12, article 12.1.040, penalties for helmet infringements, points 3.2 and 3.3.

(text modified on 01.02.09; 01.10.13)

Chapter XI MEDALS AND JERSEYS FOR UCI PARA-CYCLING WORLD CHAMPIONSHIPS

See part IX of UCI regulations.

Chapter XII PENALTIES

16.12.001 In para-cycling competitions, any participant who commits an infraction of regulations will be subject to the disciplinary procedures and sanctions of the UCI.

(text modified on 26.06.07)

Chapter XIII ANTIDOPING

- 16.13.001** Drug testing and health checks may be carried out at any para-cycling competition using UCI rules. The refusal of an athlete to submit to these checks will be treated as if the athlete tested positive, or failed a health check.

(text modified on 26.06.07)

Chapter XIV EQUIPMENT REGULATIONS

- 16.14.001** All cycles used in UCI para-cycling world championships or in any other UCI events have to meet the current requirements of the UCI Regulations, (Part I, Chapter III). For morphological, or disability reasons, exceptions may be permitted, but the principle of the UCI regulations for cycles must be followed. For example: A handlebar adaptation ~~is~~ may be allowed for athletes with upper limb disabilities, if the athlete needs the adaptation to operate gear and brake levers, there is no unfair aerodynamic advantage and safety is not compromised. Such a handlebar needs to be approved by the UCI through the procedure described at article 16.14.002 of the UCI Regulations.

(text modified on 26.06.07; 01.02.17)

- 16.14.001** All the prevailing UCI Approval Protocols, available on the UCI website, must be
bis respected where appropriate.

(article introduced on 01.10.13)

- 16.14.002** A All requests of homologation for prostheses, orthoses or impairment adaptations to any cycle must be submitted in writing with proper explanation and pictures to UCI for approval, in accordance with the procedure established by the UCI available on its website. Such request must be received at the UCI at least three months before any event that the athlete review (R) or confirmed (C) wants to participate in. New athletes (N) must submit such request one month before the date of the event must be provided in the request. In case the adaptation is approved, approval number (self-adhesive) and a certificate will be sent to the athlete to present at any event.

All adaptations, prostheses or orthoses must be approved by the UCI prior to the event. Athletes are not allowed to race without an approved device.

(text modified on 26.06.07; 01.01.10; 01.07.13; 01.02.17)

- 16.14.003** The UCI or competition officials shall not be liable for any consequences deriving from the choice of equipment and/or any adaptations used by licence-holders, nor for any defects it may have, or its non-compliance.

- 16.14.003** In no case may an energy storage or assistance mechanism be integrated into an
bis orthopaedic brace/prosthesis.

Regarding mechanical orthopaedic braces/prostheses for the lower limbs, the pivot point of the axis of the knee must be at the position equivalent to that for the femur of an unaffected limb.

(article introduced on 01.07.13)

- 16.14.004** Artificial handgrips and prosthesis are allowed on upper disabled limbs, but not fixed to the cycle. For reasons of safety in the event of a fall, mounted or fixed orthopaedic

braces/prostheses or fastened limbs on parts of the cycle, are not allowed. In any cases, a safety mechanism has to be installed.

Except for handcycles, a cyclist's position shall be supported solely by the pedals, the saddle and the handlebar.

(text modified on 01.07.13)

- 16.14.005** An athlete with above knee amputation may use a support for the thigh only if, for safety reasons, there is no fixation of the thigh to the bicycle. This means, that the support may be a half tube attached to the cycle, with a closed base and maximum of 40 15 cm closed side at the base. In any cases, if a fixing devices ~~thigh~~ is used to a the half tube, a ~~safety~~ release mechanism has to be installed.

(text modified on 01.01.09; 01.01.10; 01.01.16; 01.02.17)

- 16.14.006** Bicycles, tandems, tricycles and handcycles used in road events must have two independent braking systems. Bicycles and tandems must have an independent brake on each wheel.

Handcycle: If there is a braking system for the double wheels of a handcycle, it must act on both wheels. The braking systems must be dynamic; braking on just one wheel is not permitted. Disc brakes are authorised.

Tricycle: Tricycles must have two braking systems, one at the front and one at the rear. The braking system on the double wheels must be dynamic and act on both wheels. Disc brakes are authorised for use on double wheels.

(text modified on 01.01.10; 01.10.13; 01.02.17)

- 16.14.007** In UCI para-cycling road world championships, where neutral race service is offered, it is probable that only standard bicycle wheels will be available. Therefore, it may not be possible to provide neutral service to tandem frames with hub spacing wider than a standard road bicycle. Also, it is very unlikely that neutral spare tricycle wheels will be available, or spare wheels suitable for handcycles, except where any wheel is interchangeable with a standard bicycle road wheel.

(text modified on 26.06.07)

- 16.14.008** With regards to the use of radio links or other means of remote communication during racing, article 2.2.024 applies.

(text modified on 01.02.11; 01.10.11)

Chapter XV TANDEM BICYCLE

Definition

- 16.15.001** The tandem is a vehicle for two cyclists, with two wheels of equal diameter, which conforms to the general principles of UCI construction for bicycles. The front wheel shall be steerable by the front rider, known as the «pilot». Both riders shall face forward in the traditional cycling position and the rear wheel shall be driven by both cyclists through a system comprising pedals and chains.
- 16.15.002** The tandem top tube and any additional strengthening tubes, may slope to suit the morphological sizes of the riders.
- 16.15.003** [article abrogated on 01.02.17]

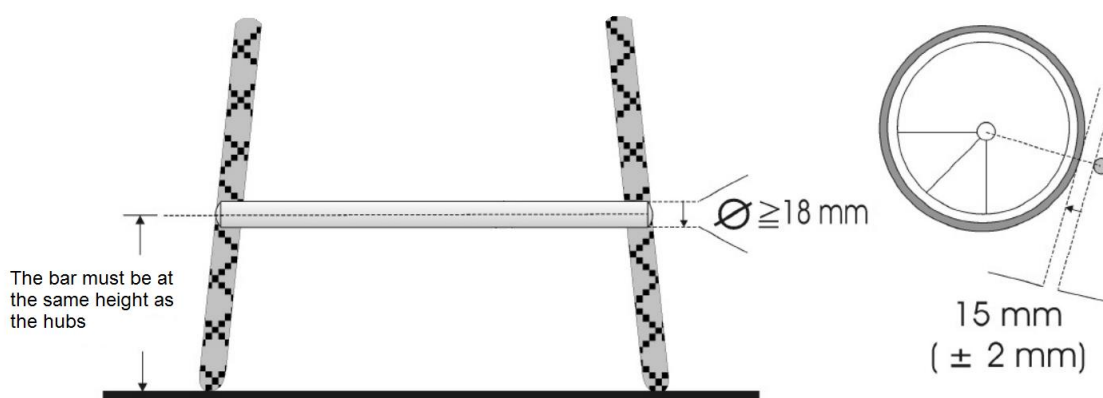
Chapter XVI TRICYCLE

Definition

- 16.16.001** The tricycle is a vehicle with three wheels of equal diameter. The front wheel, or wheels, shall be steerable; the rear wheel, or wheels, shall be driven through a system comprising pedals and a chain.
- 16.16.002** Recumbent pedal tricycles are not permitted in UCI para-cycling competitions.
- (text modified on 26.06.07)*
- 16.16.003** A tricycle with two rear wheels shall conform to UCI construction and measurements for a bicycle, including the bottom bracket, seat tube and saddle position, but excluding the rear triangle.
- 16.16.004** A tricycle with two front steerable wheels shall conform to the general principles of UCI construction and measurements for a bicycle, including the rear triangle.
- 16.16.005** Wheels of the tricycle may vary in diameter between 70 cm maximum and 55 cm minimum, including the tire, using conventional cycle components. Modified hub attachments may be used if necessary. The width of tricycle double wheels may vary between 85 cm maximum and 60 cm minimum, measured at the centre of each tire where the tires touch the ground.
- 16.16.006** If a tricycle two-wheel rear axle does not have a differential, only one wheel must be driven, due to the different speeds of the wheels in bends.
- 16.16.007** A tricycle shall not measure more than 200 cm in length and 95 cm in width overall.
- 16.16.008** To facilitate easy mounting by the rider, the tricycle top tube may slope down rearwards, with the limit being parallel with the down tube.
- 16.16.009** The two wheels of a tricycle may be offset a maximum of 10 cm either side of a centreline which passes through the single wheel and the frame top tube.

16.16.010 In road races, a tricycle with two rear wheels shall be fitted with a safety bar to prevent the front wheel of a following tricycle from entering the space between the rear wheels. The safety bar must be well fixed to the tricycle so that there is no risk of the bar moving during competition. The distance from the ground to the centre of the safety bar should be the same as the distance between the ground and the middle of the hub when the tires are inflated to the pressure used in competition. The safety bar must not exceed the width of each rear wheel tire and all tube ends closed or plugged. The safety bar must be fitted 15 mm (+/- 2 mm) behind the wheels. It must be a round tube of at least 18 mm in diameters, made of adequate solid material. Both tube ends must be plugged (see drawing).

DRAWING:
Safety Bar
 (not true to scale)



(text modified on 01.01.09; 01.01.10; 01.01.17)

Chapter XVII HANDCYCLE

Definition

16.17.001 A handcycle is either an arm powered (AP), arm-trunk powered (ATP) or kneeling position (HK), three wheels vehicle with an open frame of tubular construction, which conforms to the general principles of UCI construction for bicycles, except that the chassis frame tubes need not be straight and that for the seat or backrest construction, the maximum frame tube diameter may exceed the maximum defined by the general principles of UCI.

The single wheel may be of a different diameter to the double wheels. The front wheel, ~~or wheels,~~ shall be steerable; the single wheel, at the front ~~either front or rear,~~ shall be driven through a system comprising handgrips and a chain.

The handcycle shall be propelled solely, through a chainset and conventional cycle drive train, of crank arms, chainwheels, chain and gears, with handgrips replacing foot pedals. It shall be propelled from the hands, arms and upper body mainly.

(text modified on 01.02.09; 01.07.10; 01.02.17)

16.17.002 In the recumbent position, the athlete must have a clear vision. As such, the horizontal of his eye line must be above the crank housing/crank set, when he is sitting with his hands on the handlebars facing forward at full extent, the tip of his shoulder blades in contact with the backrest and his head in contact with the headrest, when applicable. A quick release body harness is permitted.

The measurement will be made as follows; from the position described above, the distance will be measured from the ground to the centre of the eyes of the athlete seated and compared to the distance between the ground and the middle of the crank housing / crank set. The distance from the eyes to the ground needs to be at least equal or greater than the distance of the middle of the crank housing to the ground.

(text modified on 01.01.04; 01.02.09)

16.17.003 For the individual road race, the recumbent handcycle must have a mirror fixed either to the helmet of the athlete or at any point of the front of the bike in order to ensure rear view vision.

(text modified on 01.02.09; 01.02.11)

16.17.004 In the kneeling position, the athlete's legs and feet must be supported and protected from the ground surface.

(article introduced on 01.02.09)

16.17.005 There should be no adjustment made possible to the equipment during the race. All adjustments must be made prior to the start of the race.

(article introduced on 01.02.09)

16.17.006 [article abrogated on 01.02.09]

16.17.007 Wheels of the handcycle may vary in diameter between a minimum (ETRTO) 406 mm and a maximum of 622 mm. Modified hub attachments may be used if necessary. The width of handcycle double wheels may vary between 55 cm minimum and 70 cm maximum, measured at the centre of each tire where the tires touch the ground.

(text modified on 01.01.04; 01.02.09)

16.17.008 Disk wheels are accepted for handcycle in the mass start competitions.

(article introduced on 01.02.09)

16.17.009 A handcycle shall not measure more than 250 cm in length. Its maximum width shall be 75 cm overall.

(text modified on 01.01.04; 01.02.09; 01.01.16)

16.17.010 The shifting device should be within the extremities of the handlebars, except for H1, who can fit their shifting device on the side of their body to allow for their arm to shift gears.

(text modified on 01.02.09; 01.01.10)

16.17.011 The largest chain ring shall have a guard securely fitted to protect the rider. The protection shall be made of adequate solid material and fully cover the chain ring over half of its circumference (180°) facing the rider.

Protections which don't fully cover the chain, such as mountain bike chain guide, are not allowed.

(text modified on 01.01.04; 01.01.10; 01.01.16)

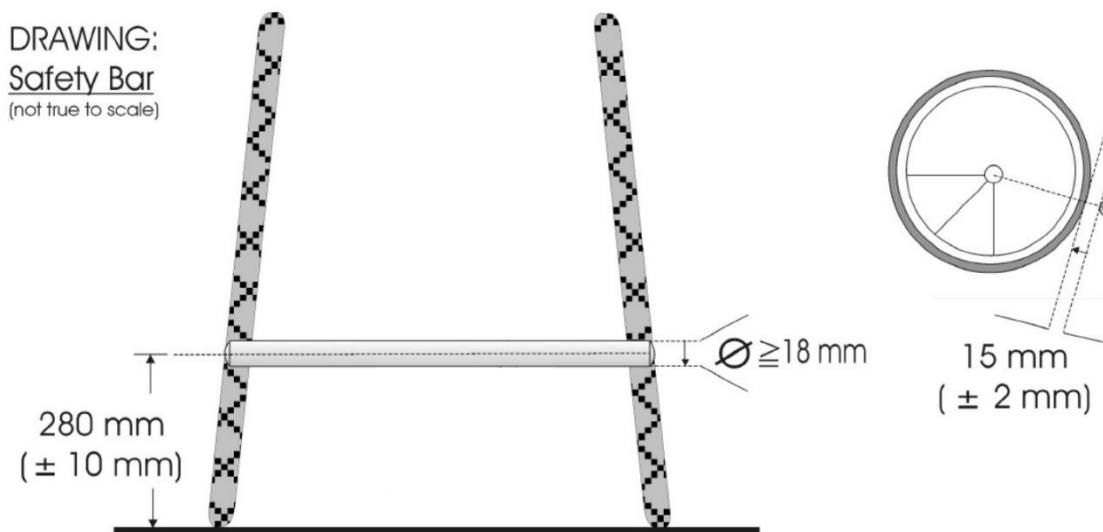
16.17.012 Any fillets, or ribs, inserted at joins between tubes, shall be for strengthening purposes only. Non-functional, aerodynamic devices are not permitted for competition.

(article introduced on 01.01.04; text modified on 01.02.17)

- 16.17.013** Leg and foot rests shall be fitted as necessary, with a secure means of protecting static lower limbs from all moving parts. Handcyclists must wear shoes for safety measures. Covered foot rests are not allowed.

(text modified on 01.01.04; 01.02.09; 01.01.18)

- 16.17.014** In road races, it is mandatory that a handcycle be fitted with a rear safety bar to prevent the front wheel of a following handcycle from entering the space between the rear wheels. A safety bar must not exceed the width of each rear wheel tire and all tube ends closed or plugged. The safety bar must be fitted 15 mm (+/- 2 mm) behind the wheels. It must be a round tube (at least 18 mm in diameters) made of adequate solid material. Both tube ends must be plugged. The distance between the ground and the bar axis must be 280 mm (+/- 10 mm). The structure and assembly of the safety bar must guarantee that normal bumps, which happen during a race, don't affect the safe functioning of the bar (see diagram).



(text modified on 01.01.04; 01.02.09; 01.02.17)

- 16.17.016** Race numbers must be fixed vertically at the back of the handcycle, in a way that allows the commissaires, teams and neutral service to see it properly during the race.

(article introduced on 01.02.17)

Chapter XVIII PARA-CYCLING INDIVIDUAL RANKING

(chapter changed on 01.02.09)

16.18.001 UCI has created a yearly ranking of riders per sport class and gender, on road and track. These individual rankings take in account the following events:

- Track: kilometer/500 m, sprint and individual pursuit, scratch race;
- Road: individual time trial and road race.

This ranking shall be called «UCI Para-cycling Individual ranking per sport class» and shall be the exclusive property of the UCI.

(text modified on 01.01.11; 01.10.11; 01.10.13)

16.18.002 The International Cycling Union has created a ranking comprising a number of competitions designated each year by the UCI Management Committee.

16.18.003 The ranking of each sport class shall be established according to the points obtained by riders participating in competitions on the international calendar, according to the following guidelines:

International Calendar

Paralympic Games and *World Championships*:

- Points will be awarded for each event in accordance with article 16.18.001.

World Cup:

- Points will be awarded for each event in accordance with article 16.18.001;
- Points from two rounds of the World Cup to count;
- Points from one World Cup round per region only to count.

Para-cycling races C1 and C2 (according to article 1.2.006, points are guaranteed for events that are registered on the UCI international calendar as C1 events):

- Minimum 1 class represented;
- Minimum 5 participating nations in Europe;
- Minimum 3 participating nations in America;
- Minimum 2 participating nations in Asia;
- Minimum 2 participating nations in Oceania and in Africa;
- An athlete has the right to accumulate C1 and C2 points on a single continent, the one where he has accumulated most points per race class;
- ROAD: Only the three best results from different C1 competitions and the three best results from C2 competitions (general classification or the identified race (1)) will be accumulated in the UCI Para-cycling individual Ranking by Sport Class.

- TRACK: Only the two best results (in individual races, i.e. kilometer/500 m, individual pursuit, scratch race or tandem sprint) from different C1 events and the two best results (in individual races, i.e. kilometer/500 m, individual pursuit, scratch race or tandem sprint) from different C2 events will be accumulated in the UCI Para-cycling individual Ranking by Sport Class.

The UCI Para-cycling Individual Ranking by Sport Class begins afresh on January 1st of every year.

(text modified on 01.01.10; 01.02.11; 01.10.11; 01.10.13; 01.02.17)

16.18.004 The number of points to gain in every individual event is fixed according to the following table:

Rank	World Championships and Paralympic Games	World Cup	C1	C2
1	120	60	30	15
2	104	52	26	13
3	88	44	22	11
4	72	36	18	9
5	64	32	16	8
6	56	28	14	7
7	48	24	12	6
8	40	20	10	5
9	32	16	8	4
10	24	12	6	3

(text modified on 01.01.10; 01.01.11; 01.01.16; 01.02.17)

16.18.005 For every C1 competition, the UCI points will be awarded once by competition (finals) or individual race, regarding article 16.18.003.

For the competitions taking place in a tournament format, UCI points will be awarded according to the general classification of the competition. In the absence of general classification, the race which will award UCI points must be clearly identified on the program of the competition. In defect, points will not be awarded.

(text modified on 01.02.11; 01.02.12)

16.18.006 Ties on points between riders shall be resolved by counting up the greatest number of 1st places, 2nd places, etc. on the ranking of the races of the current year, taking into account the competition giving the most points, up through the C2 races.

16.18.007 National federations and organizers shall be required, immediately following the end of the race, to transmit to UCI headquarters by fax or e-mail the list of starters and complete results. For stage races and multi-race championships, this information shall be transmitted within 48 hours of the end of the last stage, or championship event.

The national federation of the organizer of the event shall also, within 48 hours of the final decision, communicate the downgrading of a rider to UCI headquarters. As a general practice, all national federations shall immediately communicate any facts or decisions that could result in an amendment to the points obtained by a rider.

Should any such information not be transmitted as indicated, the UCI may declassify the race in question or exclude it from the calendar, notwithstanding any other penalties provided for in the regulations.

(text modified on 26.06.07; 01.02.08)

- 16.18.008** The para-cycling road and track individual ranking shall be drawn up at least once a month when there is competition.

If need be, the ranking of preceding months will be corrected.

(text modified on 26.06.07; 01.02.09)

- 16.18.009** In case of rider's disqualification for any reason (including a classification change), the rider disqualified loses his points and his place is taken by the next rider in the ranking, in order that all places are always occupied. In case the disqualification happens after the publication of results and ranking, changes will be done on the following publication. Same procedure will also be applied to each stage in case of stage race.

During the competitions, if an athlete's sport class changes after the observation period or after a protest, the athlete can be re-introduced in the results and ranking of his new sport class if the race took place in the same session, in the same conditions and over the same distance. The re-introduction is possible only for individual time trial events.

(article introduced on 01.01.10; 01.01.16)

- 16.18.010** An athlete disqualification after a positive test of doping will invalidate his results, eliminate him for the ranking of the event and he will lose all his prizes, points and medals.

(article introduced on 01.01.10)

- 16.18.011** In case sport classes are merged, results will be presented as a group (sport classes merged) to reflect the way the race was held. However, points will be distributed by sport class, and each athlete's sport class must appear in the results.

(article introduced on 01.01.10)

Chapter XIX PARA-CYCLING NATIONS' RANKING

(chapter changed on 01.02.09)

16.19.001 The UCI has established a ranking by nation on both road and track.

The nations' ranking is drawn up on the basis of points obtained by the best athlete of each nation participating in international calendar competitions in accordance with article 16.18.003, for each event, sport class and gender.

The classification status of athletes taken into account for the nations' ranking must be review (R) or confirmed (C).

Points accumulated through the national championships are also taken into account for the nations' ranking.

This ranking shall be called «UCI Para-cycling Nations' Ranking».

(text modified on 01.07.10; 01.10.13)

National Championships

16.19.002 Points cumulated on the nations' ranking from the national championships will be awarded under the following principals:

Ten (10) points will be granted to nations, by sport class (C5, C4,...) and by gender, represented at the national championships (road and track), independently of the number of events in which the athletes participate and of the number of athletes in the sport class.

UCI is the exclusive owner.

(text modified on 01.01.10)

16.19.003 Para-cycling road and track nations' ranking will be established on December 31st of every year.

If need be, the nations' ranking will be corrected.

16.19.004 Points for team events will be awarded to the nations as follows, and in accordance with the table below:

- Men and women team event rankings are drawn up separately;
- In the case of a mixed team (men and women), each athlete will afford to his nation a third of the points available in either the men or women team event ranking (e.g.: a mixed team winning a round of the world cup made up of two men and one woman would give 20 points to the men's team ranking and 10 points to the women's team ranking);

- In the case of a composite team (different nations represented), each athlete affords his or her nation a third of the points on offer for the nation's ranking for team events (e.g.: a composite team winning a round of the world cup made up of two athletes from Nation A and one athlete from Nation B would contribute 20 points to the ranking for Nation A and 10 points to the ranking for Nation B);
- A team may be both mixed and composite;
- When more than one team is registered from a nation, or there are representatives of this nation in composite teams, only the best team, including composite teams, is taken into account for the nations' ranking.

Rank	World Championships and Paralympic Games	World Cup	C1	C2
1	120	60	30	15
2	104	52	26	13
3	88	44	22	11
4	72	36	18	9
5	64	32	16	8
6	56	28	14	7
7	48	24	12	6
8	40	20	10	5
9	32	16	8	4
10	24	12	6	3

(text modified on 01.01.11; 01.10.13; 01.02.17)

Chapter XX PARA-CYCLING WORLD CUP

(chapter changed on 01.02.09)

- 16.20.001** The International Cycling Union has created a «Para-cycling ROAD and Para-cycling TRACK World Cup», comprising a general individual ranking based on a number of competitions designated each year by the UCI Management Committee.

(text modified on 01.01.10)

- 16.20.002** The para-cycling world cup shall be the exclusive property of UCI.

- 16.20.003** Events selected for the para-cycling world cup are the following:

Road

- Road race – all divisions
- Individual Time Trial – all divisions
- Team relay – division H

Track

- Kilometer/500 m – divisions B & C
- Individual pursuit – divisions B & C
- Team sprint – division C
- Sprint – division B
- Scratch race – division C

(text modified on 01.01.10; 01.01.11; 01.10.13)

Participation

- 16.20.004** The competitions shall be for national selections or teams or individuals under recommendation of the affiliated National Cycling Federation.

- 16.20.005** For road events, the maximum number of participants per nation shall be six for road races and three for time trials for each sport class.

For track events, the maximum number of participants per nation shall be three for each specialty for each sport class.

In all para-cycling world cup events, the nation of the winner of the previous year's world cup shall have the right to an additional place to be taken up by that winner of the previous year's world cup. If this individual cannot take part, this place is not added to that nation's quota.

(text modified on 01.01.10; 01.10.11; 01.10.13)

- 16.20.006** National Federations shall confirm their participation by means of an enrolment form no later than three weeks before the first race of the World Cup. At the time of registration,

up to six substitutes can be added on the team for all classes combined. This confirmation shall mention the number of persons making up each delegation, registration of riders in each race as well as their sport class, accommodation used during the event, full coordinates of the team responsible and each athlete's time of arrival.

After the registration deadline (3 weeks before the world cup), no late registrations will be accepted and no changes will be allowed.

Starters must be confirmed in each sport class during the official confirmation time as announced in the technical program of the event.

A single representative for each National Federation shall proceed to confirm the starters for all the athletes of that nation, whether they are participating through the national team, as individuals or for any other team under the recommendation of the National Federation.

Last minute changes within registered athletes can only be done under medical certificate 24 hours before the start of its race.

(text modified on 01.02.11; 01.10.11; 01.10.12; 01.10.13; 01.01.16)

Starting Order for World Cup Road Races

16.20.007 The UCI may decide to have several sport classes and/or age categories start together as one group. Each sport class, age category or group thus constituted must start with a minimum time gap of two minutes to avoid the mixing of groups.

The riders will be called to the line by sport class, age category or group, in the following order:

1. The leader of the World Cup classification, or, for the first World Cup event of the season, the winner of the previous season's World Cup;
2. The Road Race World Champion or the year after the Paralympic Games, the reigning Paralympic Games champion;
3. The first five athletes, according to the order of the most recently published World Cup general classification, respectively the first five athletes in the general classification of the preceding year's world cup for the first World Cup.

Riders who need assistance at the start should place themselves near the barriers to facilitate a safe start for everyone.

(article introduced on 01.10.11; text modified on 01.10.12).

Starting Order for World Cup Time Trials

16.20.008 The UCI may decide to have several sport classes and/or age categories start together as one group.

The starting order of sport classes in time trials shall be established in such a way as to minimise the possibility of the athletes of one sport class passing the athletes of another sport class (i.e.: C5-C4-C3, etc).

Within each sport class, age category or group, the starting order is determined as follows:

In the first round:

1. Reverse order of the most recently published general UCI Ranking;
2. Reigning Time Trial World Champion or, the year following the Paralympic Games, the reigning Paralympic champion;
3. Winner of the previous year's World Cup.

From the second round on:

1. Reverse order of the general UCI Ranking;
2. Reverse order of the World Cup general classification;
3. Reigning Time Trial World Champion or, the year following the Paralympic Games, the reigning Paralympic champion;
4. World Cup leader.

In all cases, the commissaires panel may modify this order for the T1-2 sport classes and H division if the course is too narrow. In this special case, the starting order of the athletes will commence with the fastest riders and conclude with the slowest riders in order to ease any problems of riders passing each other during the event.

(article introduced on 01.10.11; text modified on 01.10.12)

16.20.009 [article abrogated on 01.01.10]

16.20.010 [article abrogated on 01.02.11]

16.20.011 [article abrogated on 01.02.11]

16.20.012 [article abrogated on 01.02.11]

16.20.013 [article abrogated on 01.02.11]

16.20.014 [article abrogated on 01.02.11]

Prizes

16.20.015 [article abrogated on 01.01.10]

16.20.016 [article abrogated on 01.01.10]

- 16.20.017** Subject to article 16.1.006, the first three riders in each race shall receive from the organizer, respectively, a gold medal (1st place), a silver medal (2nd place) and a bronze medal (3rd place).

(text modified on 01.07.11; 01.10.12)

Individual Ranking

- 16.20.018** At the conclusion of each individual race of each event, points are awarded to the first ten riders according to article 16.18.004 for the individual road or track para-cycling world cup ranking.

(text modified on 01.10.13)

Team Ranking (Team Relay and Team Sprint)

- 16.20.018 bis** At the end of each round of the world cup, the top ten teams will be awarded the number of points set out in the table in article 16.19.004 for the road or track para-cycling world cup team ranking.

Composite teams are not considered for the purposes of the para-cycling world cup team ranking.

For the Team Ranking of the para-cycling road world cup, when a nation has more than one team registered, all of its teams are taken into account in accordance with their order of finishing. In the second round of the world cup, teams are again considered in accordance with the order of finishing, regardless of the athletes making up the team. (And so on for the following rounds.)

Comment: In other words, in order to draw up the world cup team ranking, the highest placed team of a Nation (irrespective of the athletes it comprises, who may change from one round to the next) shall contribute the corresponding points to the ranking for that Nation.

The second-placed team of a Nation, irrespective of the athletes it comprises, shall not add points to the overall ranking but shall keep its place in the classification for the round of the world cup.

The same applies to the third-placed team of this Nation.

(article introduced on 01.10.13)

- 16.20.019** A «Para-cycling ROAD and Para-cycling TRACK World Cup» ranking by sport class and by gender will be published the week following every event.

At the conclusion of every competition, the tied riders in the general ranking will be decided by the greatest number of 1st places, 2nd places, etc. by considering only places awarding points. If they are still tied, the best ranking in the most recent event will serve as a tie breaker.

(text modified on 01.01.10)

16.20.020 The UCI awards a world cup winner's trophy to the top rider of the individual world cup ranking of each sport class and leading nation of the TR and TS rankings. The trophy is only awarded if at least two athletes, or two nations, have scored points in the final overall ranking.

(text modified on 01.01.10; 01.07.11; 01.10.11; 01.10.13)

16.20.021 The UCI awards a World Cup leader's jersey at the end of each World Cup leg to the leader of the provisional overall ranking of each sport class (individual road race and individual time trial combined). A leader's jersey will be awarded only if at least two athletes have marked points in the overall ranking.

The rider leading a world cup standings must wear the leader's jersey in every world cup event concerned, except in the opening event.

Both athletes of the tandem with the vision-impaired rider leading a world cup standing must wear the world cup leader's jersey, even if there is a change in pilot.

(article introduced on 01.02.11; text modified on 01.07.11; 01.02.12; 01.10.12)

16.20.021 bis At the end of each round of the world cup, the UCI awards world cup leader's jersey to the leading nation of the TR and TS provisional ranking.

The best team of a nation in an individual round of the world cup represents the nation during the podium ceremony.

The world cup TR and TS leader's jerseys are only awarded if at least two nations have scored points in the ranking.

The jersey must be worn during competitions, ceremonies and other official appearances, except in the opening event.

(article modified on 01.10.11; 01.10.13; 01.01.16)

16.20.022 The colours of leaders' jerseys are determined by the UCI.

(article introduced on 01.02.11)

16.20.023 The riders are permitted to put their own advertising logos on the leader's jersey as follows:

- a maximum of four (4) advertising logos are permitted;
- on the front of the jersey: on a maximum surface of 300 cm²;
- on the back of the jersey: on a maximum surface of 300 cm²;
- on the shoulders: a single logo of 5 cm per 7 cm;
- on the sides of the jersey: a single line of maximum 9 cm width and 15 cm height.

The design of the jersey received at the official ceremony must be respected.

For further details please refer to the brochure available on the UCI Website.

(article introduced on 01.02.11)

Chapter XXI WORLD CHAMPIONSHIPS QUALIFICATION SYSTEM

See Part IX: World Championships of UCI Regulations, articles 9.2.001 and following (General comments) and 9.2.025 and the following (Para-cycling).

Chapter XXII PARALYMPIC GAMES

16.22.001 Participation in cycling competitions at the Paralympic Games shall be governed by the rules of the International Paralympic Committee (IPC) and of the UCI.

Participation in the Paralympics shall imply acceptance and respect of the IPC rules and UCI regulations rules by the rider and any other license holder.

(text modified on 26.06.07)

Entries – Confirmation of Starters

16.22.002 The National Paralympic Committees shall enter their athletes in accordance with the participation limits, qualifying and reserve system approved by the IPC.

According to IPC rules, each NPC shall inform the organizing committee of the names of its athletes within the deadline fixed by the IPC.

Participation

16.22.003 To take part in the Paralympics, every athlete, including tandem pilots – shall:

- hold a UCI licence issued by a national cycling federation;
- be at least 18 years old for both track and road events, or reach this age in the year of the Paralympics;
- hold a para-cycling international functional classification designated C or R (Confirmed or Review Status) – not applicable to tandem pilots;
- have participated in at least one international UCI Para-cycling during a period that spans two years before the Paralympics Game to July 15th the year of the Paralympics Games;
- enter a minimum of two events (individual or team) in the Games Program.

(text modified on 26.06.07; 01.02.10; 01.10.12; 01.01.16)

Paralympic Road Race Circuits

16.22.004 Road race circuits for the Paralympic Games shall measure between 7 km and 15 km.

Circuits which are shorter than 7 km or longer than 15 km, but with unique, desirable features, may be permitted at the discretion of the UCI.

(text modified on 01.01.10; 01.01.16)

Chapter XXIII PARA-CYCLING TECHNICAL NOTES

- 16.23.001** All technical notes carry the same authority as UCI regulations. The technical notes will be subject to continuous revision by the UCI management committee, to reflect technological advances in world cycling and changes to UCI regulations.

(text modified on 26.06.07)

Appendix 1

**UCI
REQUEST FOR WORLD RECORD HOMOLOGATION**

Date of the performance:

Date of the request sent to UCI:

(The request shall reach the UCI no later than 1 month after the performance - Immediate notification by fax to UCI)

Secretary General of National Federation:

Velodrome

Location of Track (City and Country):

Track Measurement..... metres Material..... (wood, etc.)

Covered or Open:

UCI Homologation Date:

Information for Processing

Request for World Record / Best Performance Homologation for:

(Men - Women - Junior Men - Junior Women – Masters Men – Masters Women)

Distance:

Start (standing or flying):

Date of attempt or event: Result:

Complete name of the rider: Nationality:

UCI ID:Licence number:

Laboratory in charge of Doping Control analysis:

Time of the attempt or event:

During an event / Special Attempt:

Resume of record:

Attestation of the result by Officials

We, the undersigned officials confirm that the record information as set out within this document was achieved according to the UCI Regulation.

Position	Name (family)	Given Name	Signature
UCI Technical Delegate			
UCI International Commissaires			
Official Timekeepers			
(manual)			
(electronic)			
UCI Doping Control Officer			

To be enclosed: – Print out electronic timing slips
 – Doping control form

Place and date:

UCI International Commissaire Signature:

NB: This document is established in accordance with the world records / best performances regulations.

Appendix 2

Glossary to the UCI Para-cycling Classification Rules and Regulations (Chapters IV and V)

Adaptive Equipment: Implements and apparatus adapted to the special needs of Athletes, and used by Athletes during Competition to facilitate participation and/or to achieve results.

Appeals: The means by which a complaint that UCI has made an unfair decision during the Classification process is resolved.

Athlete: For purposes of Classification, any person who participates in sport at the international level (as defined by the UCI) or national level (as defined by each National Federation) and any additional person who participates in sport at a lower level if designated by the person's National Federation.

Athlete Evaluation: The process by which an Athlete is assessed in accordance with these Classification Rules in order that an Athlete may be allocated a Sport Class and Sport Class Status.

Athlete Support Personnel: Any coach, trainer, manager, interpreter, agent, team staff, official, medical or para-medical personnel working with or treating Athletes participating in or preparing for training and/or Competition.

IPC BAC: The IPC Board of Appeal of Classification.

Chief Classifier: A classifier appointed by the UCI to direct, administer, co-ordinate and implement Classification matters for a specific Competition according to these Classification Rules.

Classification: Grouping Athletes into Sport Classes according to how much their Impairment affects fundamental activities in each specific sport or discipline. This is also referred to as Athlete Classification.

Classification Data: Personal Information and/or sensitive Personal Information provided by an Athlete and/or a National Body and/or any other person to a Classification Organisation in connection with Classification.

Classification Intelligence: Information obtained and used by an International Sport Federation in relation to Classification.

Classification Master List: A list made available by the UCI that identifies Athletes who have been allocated a Sport Class and designated a Sport Class Status.

Classification Not Completed: the designation applied to an Athlete who has commenced but not completed Athlete Evaluation to the satisfaction of the UCI.

Classification Organisation: Any organisation that conducts the process of Athlete Evaluation and allocates Sport Classes and/or holds Classification Data.

Classification Panel: A group of Classifiers, appointed by the UCI, to determine Sport Class and Sport Class Status in accordance with these Classification Rules.

Classification Personnel: Persons, including Classifiers, acting with the authority of a Classification Organisation in relation to Athlete Evaluation, for example administrative officers.

Classification Rules: Also referred to as Classification Rules and Regulations. The policies, procedures, protocols and descriptions adopted by the UCI in connection with Athlete Evaluation.

Classification System: The framework used by the UCI to develop and designate Sport Classes within Para-cycling.

Classifier: A person authorised as an official by the UCI to evaluate Athletes as a member of a Classification Panel.

Classifier Certification: The processes by which the UCI must assess that a Classifier has met the specific Classifier Competencies required to obtain and maintain certification or licensure.

Classifier Competencies: The qualifications and abilities that the UCI deems necessary for a Classifier to be competent to conduct Athlete Evaluation for Para-cycling governed by the UCI.

Classifier Code of Conduct: The behavioural and ethical standards for Classifiers specified by the UCI.

IPC Code: The Athlete Classification Code 2015 together with the International Standards for: Athlete Evaluation; Eligible Impairments; Protests and Appeals; Classifier Personnel and Training; and Classification Data Protection.

Competition: A series of individual events conducted together under one ruling body.

Compliance: The implementation of rules, regulations, policies and processes that adhere to the text, spirit and intent of the Code as defined by the IPC. Where terms such as (but not limited to) 'comply', 'conform' and 'in accordance' are used in the Code they shall have the same meaning as 'Compliance.'

Continuing Education: The delivery of higher knowledge and practical skills specified by the UCI to preserve and/or advance knowledge and skills as a Classifier in the sport(s) under its governance.

Diagnostic Information: Medical records and/or any other documentation that enables the UCI to assess the existence or otherwise of an Eligible Impairment or Underlying Health Condition.

Eligible Impairment: An Impairment designated as being a prerequisite for competing in Para-cycling, as detailed in these Classification Rules.

Eligibility Assessment Committee: An ad hoc body formed to assess the existence or otherwise of an Eligible Impairment.

Entry Criteria: Standards set by the UCI relating to the expertise or experience levels of persons who wish to be Classifiers. This may be, for example, former Athletes or coaches, sports scientists, physical educators and medical professionals, all of whom have the qualifications and abilities relevant to conduct all, or specific parts of, Athlete Evaluation.

Evaluation Session: the session an Athlete is required to attend for a Classification Panel to assess that Athlete's compliance with the Minimum Impairment Criteria for a sport; and allocation of a Sport Class and Sport Class Status depending on the extent to which that

Athlete is able to execute the specific tasks and activities fundamental to Para-cycling. An Evaluation Session may include Observation in Competition.

Event: A single race.

First Appearance: The first time an Athlete competes in an Event during a Competition in a particular Sport Class.

Fixed Review Date: A date set by a Classification Panel prior to which an Athlete designated with a Sport Class Status Review with a Fixed Review Date will not be required to attend an Evaluation Session save pursuant to a Medical Review Request and/or Protest.

Head of Classification: A person appointed by the UCI to direct, administer, co-ordinate and implement Classification matters for Para-cycling.

Health Condition: A pathology, acute or chronic disease, disorder, injury or trauma.

Impairment: A Physical or Vision Impairment.

Intentional Misrepresentation: A deliberate attempt (either by fact or omission) to mislead an International Sport Federation or National Body as to the existence or extent of skills and/or abilities relevant to a Para sport and/or the degree or nature of Eligible Impairment during Athlete Evaluation and/or at any other point after the allocation of a Sport Class.

International Competitions: A Competition where the IPC, the UCI or a Major Competition Organisation is the governing body for the Competition and/or appoints the technical officials for the Competition.

International Standards: A document complementing the IPC Code and providing additional technical and operational requirements for Classification.

IPC: International Paralympic Committee.

Maintaining Certification: The advanced training, education and practice necessary for continued competency as a Classifier.

Major Competition Organiser: An organisation that functions as the ruling body for an International Competition.

Medical Diagnostics Form: a form that a National Body or National Paralympic Committee must submit in order for an Athlete to undergo Athlete Evaluation, identifying the Athlete's Health Condition if so required.

Medical Review: The process by which the UCI identifies if a change in the nature or degree of an Athlete's Impairment means that some or all of the components of Athlete Evaluation are required to be undertaken in order to ensure that any Sport Class allocated to that Athlete is correct.

Medical Review Request: A request made by a National Body or National Paralympic Committee for Medical Review, made on behalf of an Athlete.

Models of Best Practice: An ad hoc guidance document prepared by the IPC to assist in the implementation of the Code and International Standards.

National Federation: National Federations accepted by the Congress as being the representative organization for the sport of cycling in general in the country of that national federation.

National Laws: The national data protection and privacy laws, regulations and policies applicable to a Classification Organisation.

National Paralympic Committees: The national member of the IPC who is the sole representative of Athletes with an Impairment in that country or territory. These are the national members of the IPC.

National Protest: A Protest made by a National Body or a National Paralympic Committee in respect of an Athlete under its jurisdiction.

Observation in Competition: The observation of an Athlete in a Competition by a Classification Panel so that the Classification Panel can complete its determination as to the extent to which an Eligible Impairment affects that Athlete's ability to execute the specific tasks and activities fundamental to the sport.

Paralympic Games: Umbrella term for both Paralympic Games and Paralympic Winter Games.

Permanent: The term Permanent as used in the Code and Standards describes an Impairment that is unlikely to be resolved meaning the principle effects are lifelong.

Personal Information: Any information that refers to, or relates directly to, an Athlete.

Physical Impairment: an Impairment that affects an Athlete's biomechanical execution of sporting activities, comprising Ataxia, Athetosis, Hypertonia, Impaired Muscle Power, Impaired Passive Range of Movement, Limb Deficiency and Leg Length Difference.

Process/Processing: The collection, recording, storage, use or disclosure of Personal Information and/or sensitive Personal Information.

Protested Athlete: An Athlete whose Sport Class is being challenged.

Protested Decision: The Sport Class decision being challenged.

Protest Documents: The information provided in the Protest Form together with the Protest Fee.

Protest Fee: The fee prescribed by the UCI, payable by the National Body or National Paralympic Committee when submitting a Protest.

Protest Form: The form on which a National Protest must be submitted.

Protest: The procedure by which a reasoned objection to an Athlete's Sport Class is submitted and subsequently resolved.

Protest Panel: A Classification Panel appointed by the Chief Classifier to conduct an Evaluation Session as a result of a Protest.

Re-certification: The process by which the UCI must assess that a Classifier has maintained specific Classifier Competencies.

Recognised Competition: A Competition that is sanctioned or approved by the UCI.

Research Purposes: Research into matters pertaining to the development of sports within the Paralympic Movement, including the impact of Impairment on the fundamental activities in each specific sport and the impact of assistive technology on such activities.

Sport Class: A category for Competition defined by the UCI by reference to the extent to which an Athlete can perform the specific tasks and activities required by a sport.

Sport Class Status: A designation applied to a Sport Class to indicate the extent to which an Athlete may be required to undertake Athlete Evaluation and/or be subject to a Protest.

Team: A group of riders competing together to achieve a common goal e.g. Team Relay (TR) and Team Sprint (TS).

Tracking Code Observation Assessment (OA): a designation given to an Athlete that replaces the Athlete's Sport Class Status until Observation in Competition has been completed.

Underlying Health Condition: a Health Condition that may lead to an Eligible Impairment.

Vision Impairment: an Impairment of the eye structure, optical nerves or optical pathways, or visual cortex of the central brain that adversely affects an Athlete's vision.